



**LIFTING SYSTEMS**

**OPERATING INSTRUCTIONS**

**FOR MODELS:**

**WTS 256**

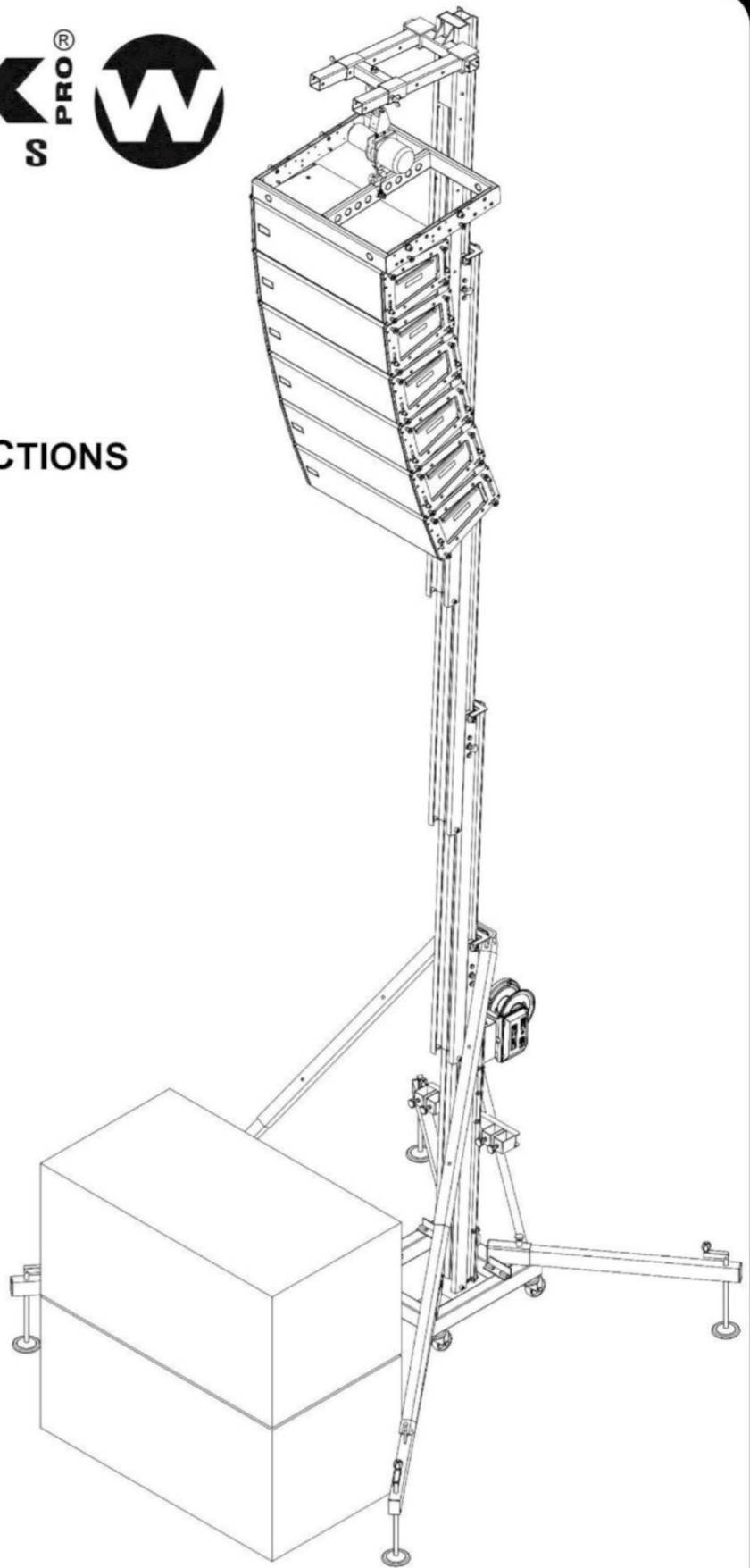
**WTS 375**

**WTS 506**

**WTS 905**

**WTS 708**

**WTS 1206**



**Version 1.7**



## IMPORTANT

Carefully read and understand all points and aspects of this manual. Lifting loads irresponsibly can cause lethal accidents. Installation of lifting systems and proper use are only responsibility of the user.

It is recommended to attach this manual with the tower system used.

In case of doubt, consult the technical department of Work Lifters.

## CONTENT

- IMPORTANT** .....1
- CONTACT** .....1
- ILLUSTRATION INDEX** .....1
- WARNING ICONS** .....3
- ADDITIONAL DOCUMENTS** .....3
- RULES AND SAFETY USE** .....4
- PARTS IDENTIFICATION** .....10
- OPERATING MODES** .....11
  - MECHANISM MODE**..... 11
  - STRUCTURAL MODE** ..... 11
- HOW TO USE STEP BY STEP** .....12
  - LINE ARRAY ELEVATION IN MECHANISM MODE.....12
  - LINE ARRAY ELEVATION IN STRUCTURAL MODE.....16
  - TRUSS SYSTEM ELEVATION IN MECHANISM MODE.21
  - TRUSS SYSTEM ELEVATION IN STRUCTURAL MODE 25
- USING THE TOWER IN STRUCTURAL MODE (WIND CONDITION)**.....29
- STANDARDS TAKEN INTO ACCOUNT** .....30
- PLACING THE LOAD** .....31
- LOAD CHART** .....32
- GROUND COMPACTION DEGREE** .....33
- DYNAMIC OVERLAP** .....34
- TRANSPORT** .....35
  - WITH FORKLIFT .....35
  - WITH TRUCK OR CONTAINER..... 36
- DGV V17/18 NORM REGULATION.**
  - Explanation** ..... 37

- SPECIFICATIONS**.....38
- DECLARATION OF CONFORMITY** .....39
- DGV MARK** .....40

## CONTACT

Website: [www.worklifters.com](http://www.worklifters.com)

E-mail: [support@equipson.es](mailto:support@equipson.es)

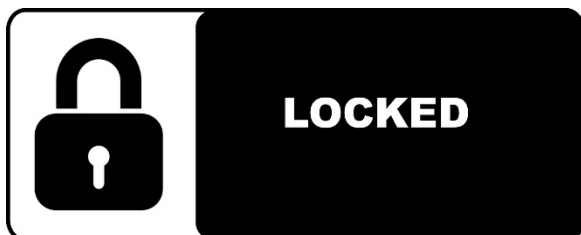
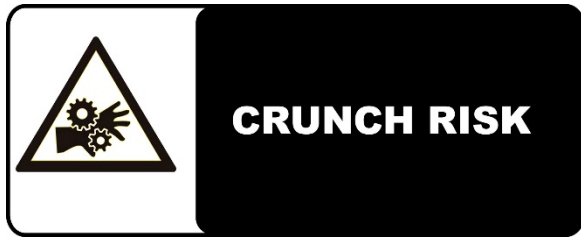
## ILLUSTRATION INDEX

- Figure 1 ..... 4
- Figure 2 ..... 4
- Figure 3 ..... 4
- Figure 4 ..... 4
- Figure 5 ..... 5
- Figure 6 ..... 5
- Figure 7 ..... 5
- Figure 8 ..... 5
- Figure 9 ..... 6
- Figure 10 ..... 6
- Figure 11 ..... 6
- Figure 12 ..... 6
- Figure 13 ..... 7
- Figure 14 ..... 7
- Figure 15 ..... 7
- Figure 16 ..... 7
- Figure 17 ..... 8
- Figure 18 ..... 8
- Figure 19 ..... 8
- Figure 20 ..... 8
- Figure 21 ..... 9
- Figure 22 ..... 9
- Figure 23 ..... 9
- Figure 24 ..... 9
- Figure 25 ..... 10
- Figure 26 ..... 11
- Figure 27 ..... 11
- Figure 28 ..... 12
- Figure 29 ..... 12
- Figure 30 ..... 12
- Figure 31 ..... 12
- Figure 32 ..... 12
- Figure 33 ..... 13
- Figure 34 ..... 13
- Figure 35 ..... 13
- Figure 36 ..... 13
- Figure 37 ..... 14
- Figure 38 ..... 14
- Figure 39 ..... 14

Figure 40 .....	14
Figure 41 .....	15
Figure 42 .....	15
Figure 43 .....	15
Figure 44 .....	16
Figure 45 .....	16
Figure 46 .....	16
Figure 47 .....	16
Figure 48 .....	16
Figure 49 .....	17
Figure 50 .....	17
Figure 51 .....	17
Figure 52 .....	17
Figure 53 .....	18
Figure 54 .....	18
Figure 55 .....	18
Figure 56 .....	18
Figure 57 .....	19
Figure 58 .....	19
Figure 59 .....	19
Figure 60 .....	19
Figure 61 .....	20
Figure 62 .....	20
Figure 63 .....	21
Figure 64 .....	21
Figure 65 .....	21
Figure 66 .....	21
Figure 67 .....	21
Figure 68 .....	22
Figure 69 .....	22
Figure 70 .....	22
Figure 71 .....	22
Figure 72 .....	23
Figure 73 .....	23
Figure 74 .....	23
Figure 75 .....	23
Figure 76 .....	24
Figure 77 .....	24
Figure 78 .....	24
Figure 79 .....	25
Figure 80 .....	25
Figure 81 .....	25
Figure 82 .....	25
Figure 83 .....	25
Figure 84 .....	26
Figure 85 .....	26
Figure 86 .....	26
Figure 87 .....	26
Figure 88 .....	27
Figure 89 .....	27
Figure 90 .....	27
Figure 91 .....	27
Figure 92 .....	28
Figure 93 .....	28

Figure 94 .....	28
Figure 95 .....	28
Figure 96 .....	29
Figure 97 .....	29
Figure 98 .....	31
Figure 99 .....	31
Figure 100 .....	31
Figure 101 .....	32
Figure 102 .....	33
Figure 103 .....	33
Figure 104 .....	34
Figure 105 .....	35
Figure 106 .....	36
Figure 107 .....	38

## WARNING ICONS



**ADDITIONAL DOCUMENTS**

Follow this link to download the maintenance user manual for WTS series.

[WTS Series MAINTENANCEx](#)

Or visit [www.worklifters.com](http://www.worklifters.com)

# RULES AND SAFETY USE

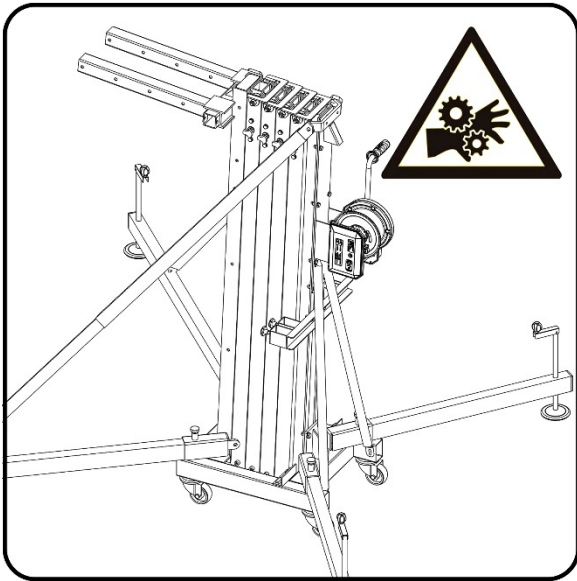


Figure 1

Keep hands and fingers away from moving parts of the tower.

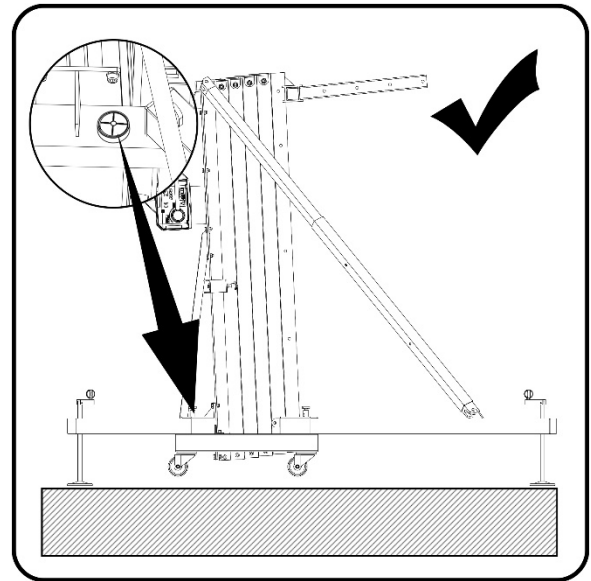


Figure 3

Do not lift the tower without proper leveling. To lift a load, the tower must always be stabilized.

**The wheels must not touch the ground.**

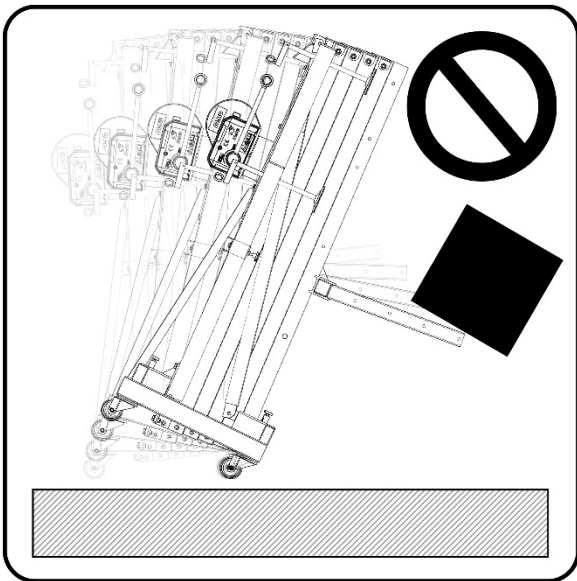


Figure 2

Not charge the tower without the stabilizer legs.

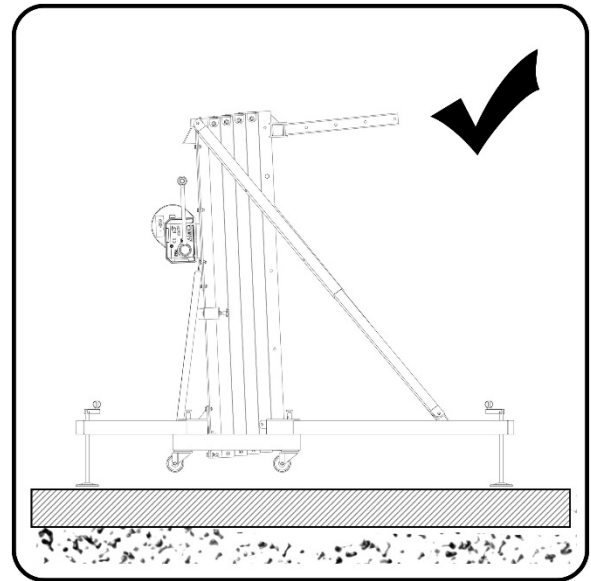


Figure 4

Place the tower on a stable surface.

If the ground has a low degree of compaction (earth, gravel, etc..) consult the section of load data.

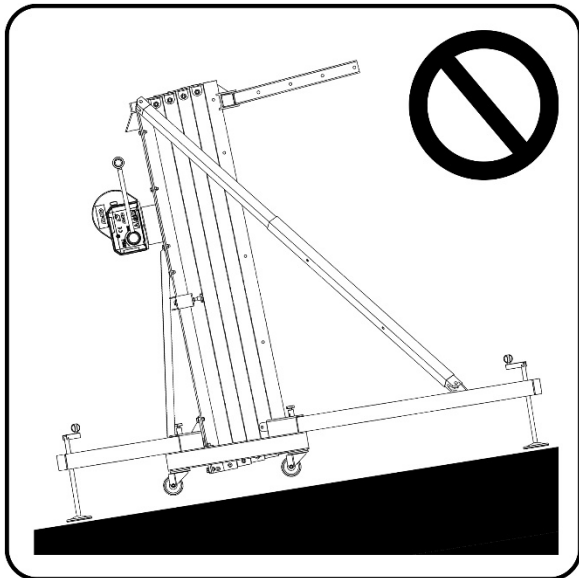


Figure 5

Do not use the tower on inclined surfaces that require pieces to level the tower.

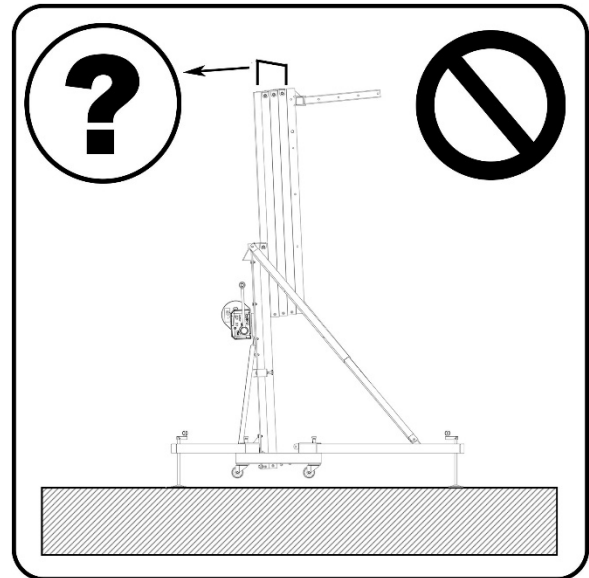


Figure 7

Lift the mast in the correct order.

Lift the mast of the tower starting always with the carriage. The last mast lifted must be the next to the section where the winch is placed.

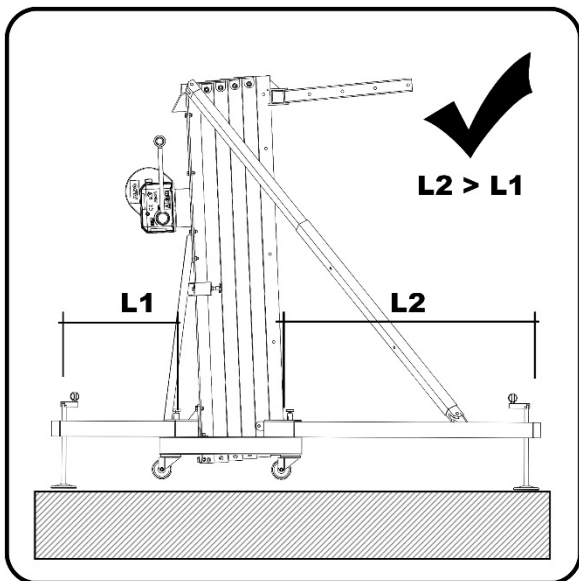


Figure 6

Mount the longest stabilizer legs in the part of the horns. Safety pins must lock the stabilizers.

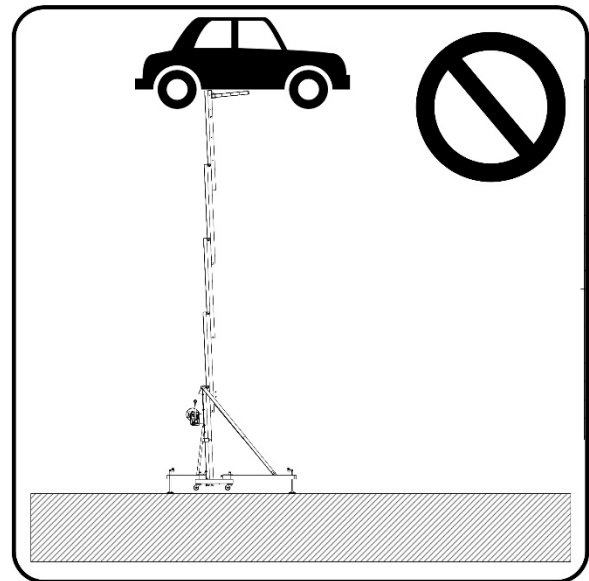


Figure 8

Before placing a load, make sure that the load never exceeds the maximum allowed. Consult the section of load data.

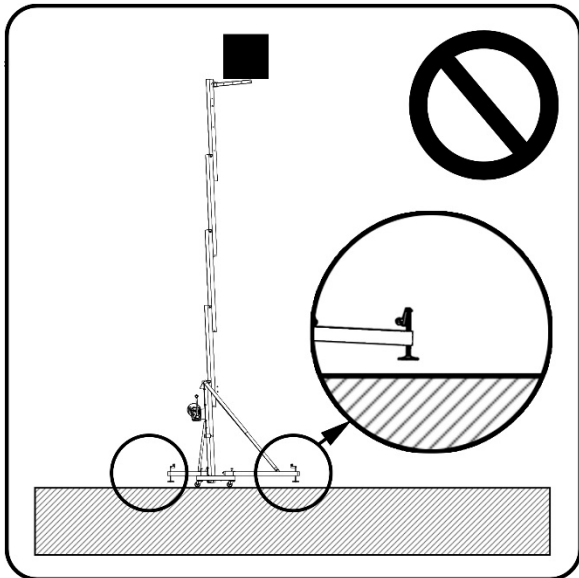


Figure 9

Never move a load without leveling the tower before.

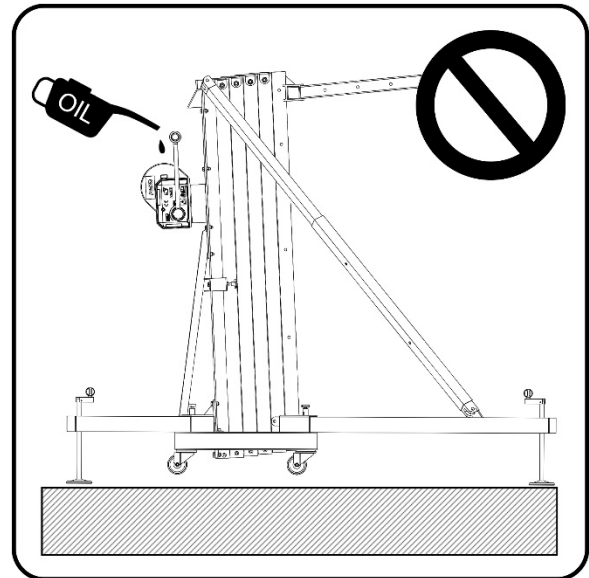


Figure 11

Not grease or lubricate the mechanism of the winch and the pulleys of the masts.



Figure 10

Do not use ladders on the tower or leaning against it.

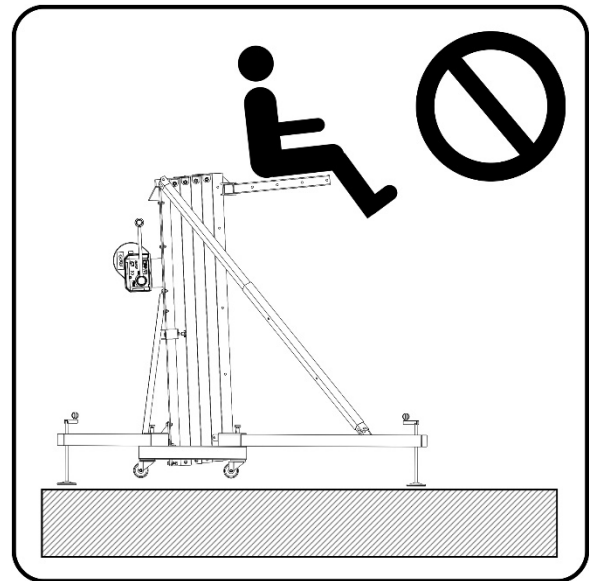


Figure 12

Not allowed to lift people or animals.



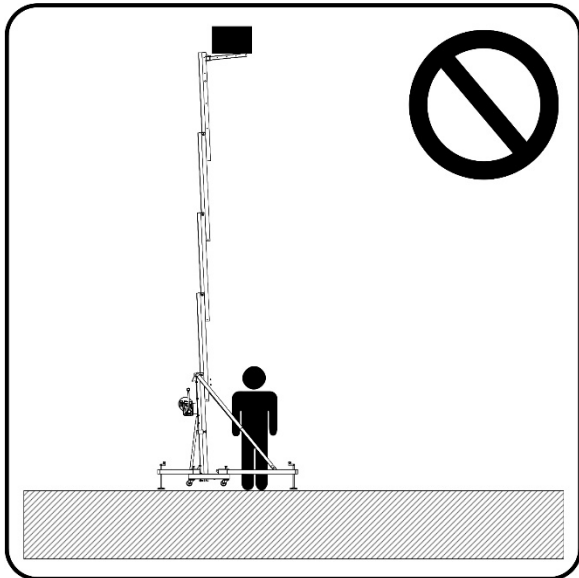


Figure 13

During the rise or descend load process, do not stand under the load. The load must be secured to the tower in order to prevent that it cannot fall down.



Figure 14

Verify that the tower is beyond the reach of power lines.

The tower is not electrically insulated and can transmit currents of power lines.

On the following table is recommended the average length between the highest part of the structure and the power lines.

Voltage	Min. distance	
	Meters	Feet
0 a 230v	1.5	4.92
230v a 400v	2.8	9.19
400v a 50Kv	3.4	11.15
50Kv a 200Kv	4.9	16.08
200Kv a 350Kv	6.5	21.33
350Kv a 500Kv	8.2	26.90
500Kv a 750Kv	11.3	37.07
750Kv a 1000Kv	14.2	46.59

Figure 15

Not use the tower as welding mass.

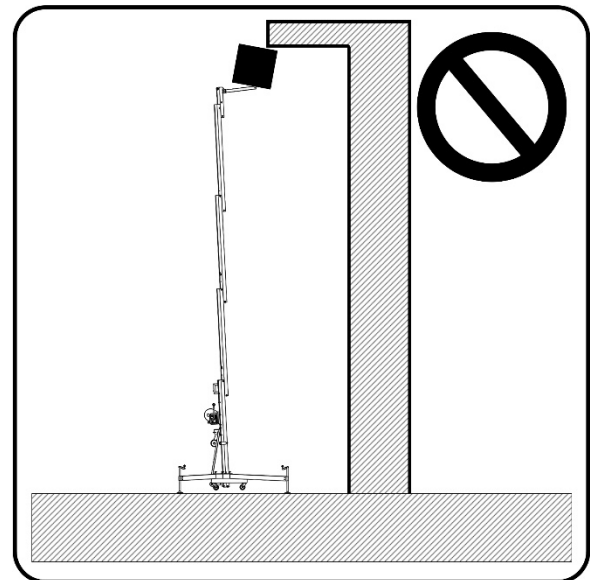


Figure 16

Not lift a load if there is danger of collision. Take at least 1.5 meters on any direction to lift the load safely.

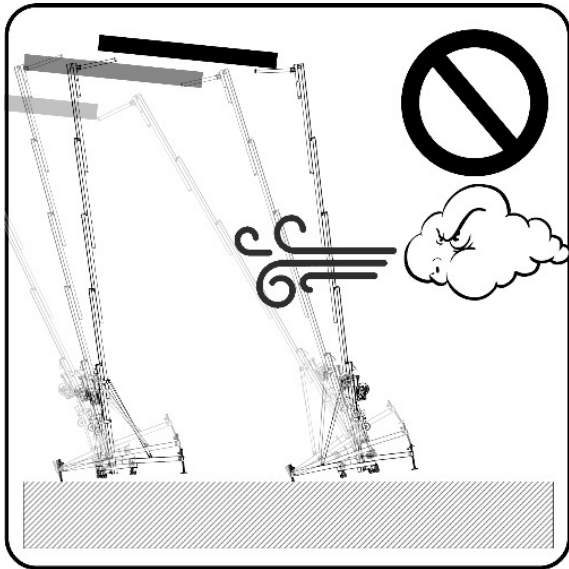


Figure 17

The tower can be used outdoor, **only in structural mode but with the loads corresponding to mechanism mode (for security purposes)**, if the wind speed is low and if it doesn't put the installation at risk. The installation is always under the responsibility of the owner.

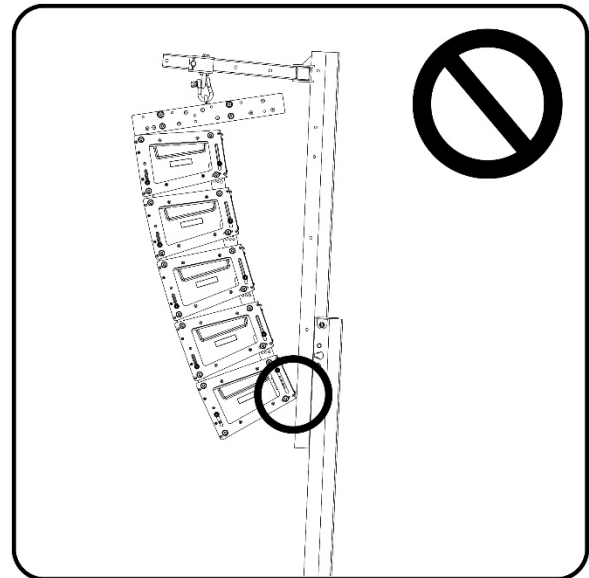


Figure 19

Prevent that the load do not touch the tower

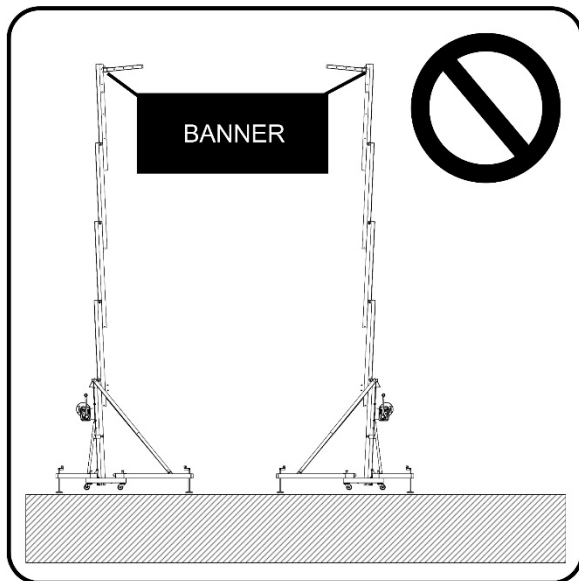


Figure 18

Do not use the tower as a support of banners or another type of decoration with strong wind that can destabilize the tower and make it falls.

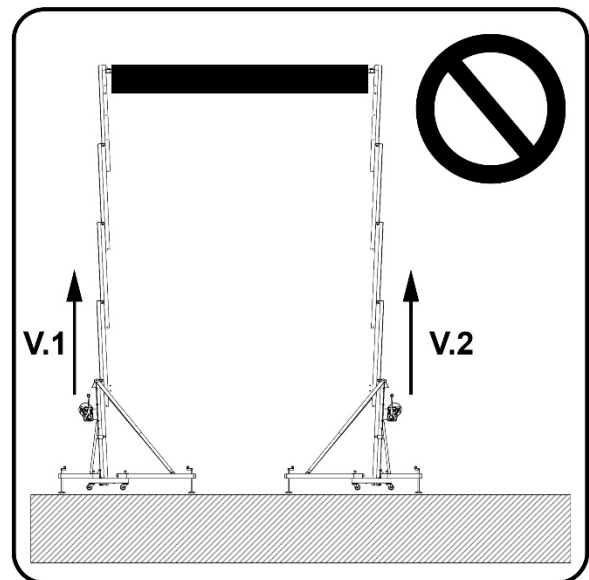


Figure 20

Do not lift structures that require more than one tower at different speeds

$V1 \neq V2$  No lift

$V1 = V2$  Ok

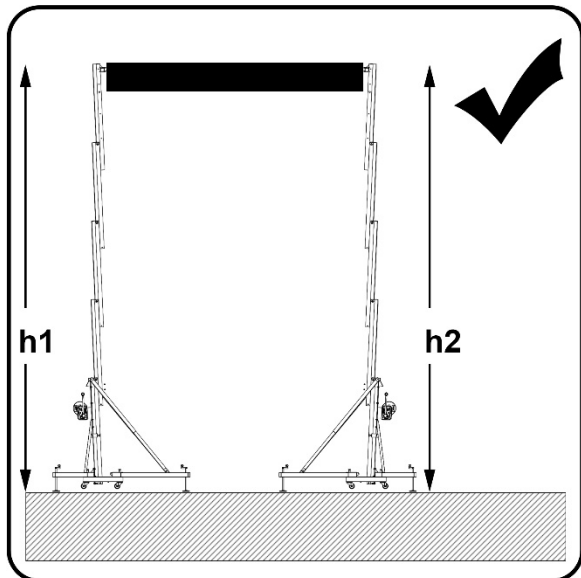


Figure 21

The structure must be levelled correctly. If not, the structure can fall.

Always  $h1 = h2$

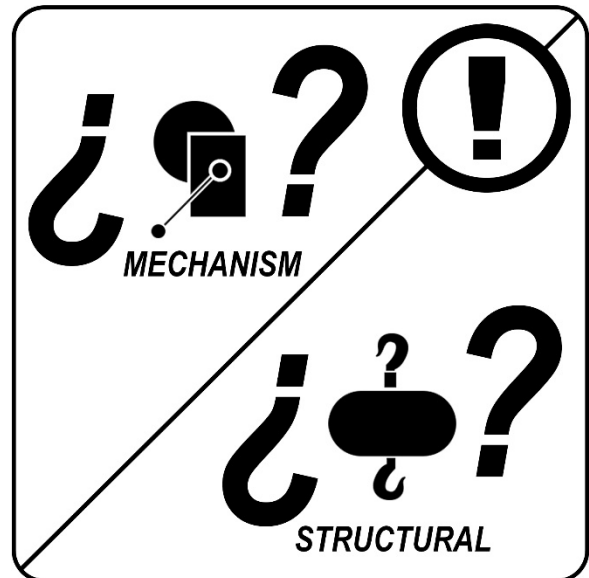


Figure 23

Never use structural loads in mechanism mode. It can result in a dangerous use and can break internal parts of the tower.

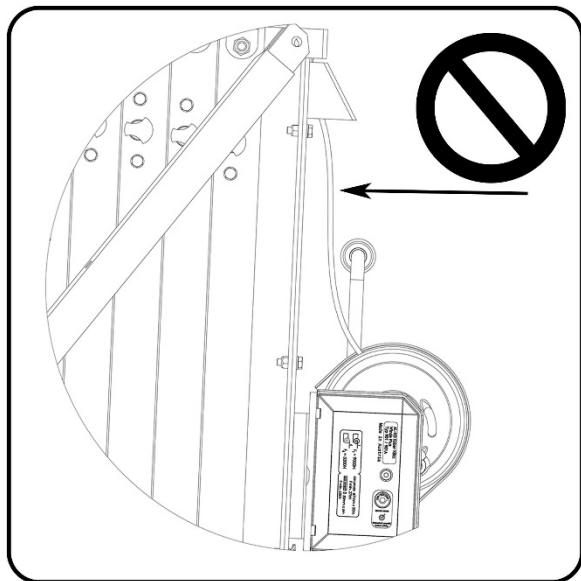


Figure 22

Under no circumstances should the tower be descended if the cable does not have enough tense. The cable should **ALWAYS** be tensioned in order to release the safety systems.

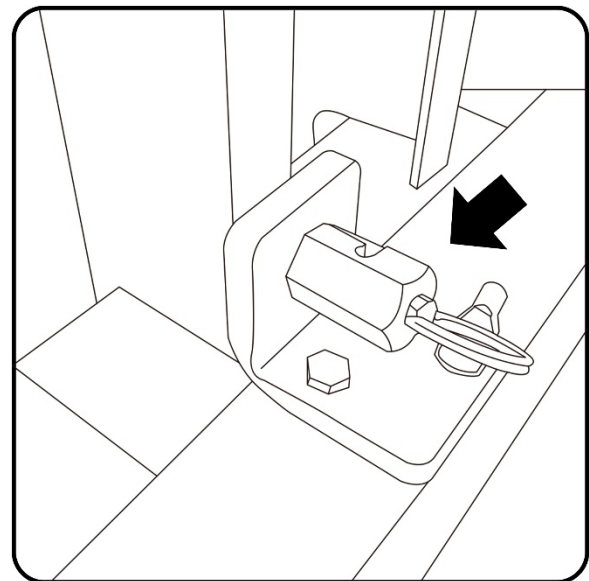


Figure 24

**IMPORTANT !!!** Before to deploy the lifter, unlock the carriage safety pin.

After finishing to operate with the lifter, folded it and **LOCK** the safety pin again for a safety transportation

## PARTS IDENTIFICATION

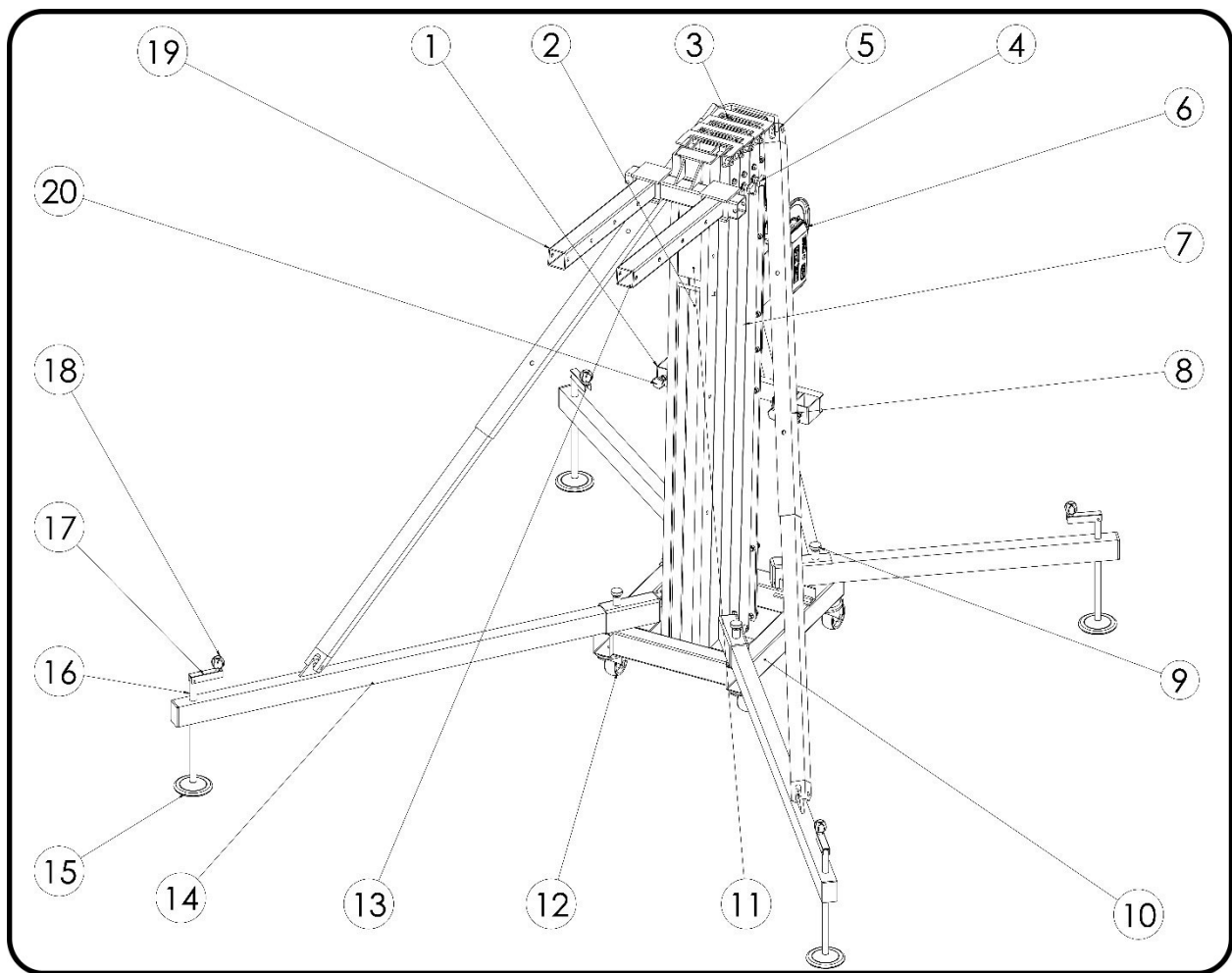


Figure 25.

1	Support stabilizer legs carrier	11	Steel carrier
2	Steel cable	12	Base wheel
3	Top boost reinforcement	13	Pin horn
4	Red knob mast security system	14	Frontal leg
5	Strut reinforcement mast support	15	Steel carrier
6	Winch	16	Leveler screw
7	Tower mast	17	Leveler brace
8	Steel reinforcement strut	18	Leveler knob
9	Red knob base security system	19	Forks
10	Tower base	20	Leg carrier knob

## OPERATING MODES

### MECHANISM MODE

This mode involves lifting the load with the help of the winch. That is, the load is placed in the tower once leveled and placed with all its masts in transport position. Then, the load is raised by using the included hand winch.

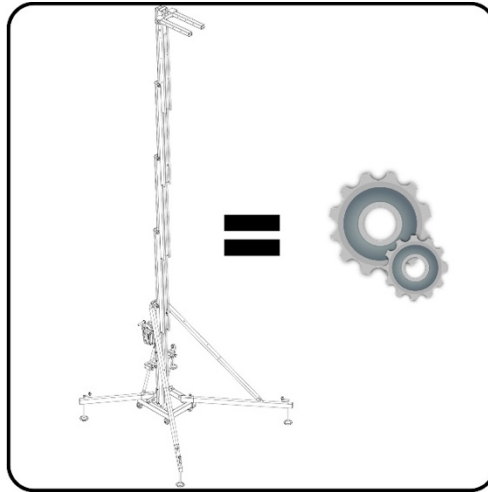


Figure 26

### STRUCTURAL MODE

This mode involves lifting the load with the help of a manual or electric hoist. That is, the tower is used as a structure that is all locked to the required working height. Once the tower is raised to this desired height, the load must be raised with the hoist.



**IMPORTANT !!! FOR THIS PURPOSE, USE ONLY MANUAL HOISTS**

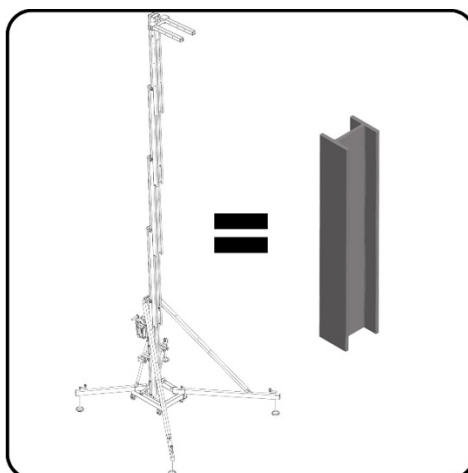


Figure 27

# HOW TO USE STEP BY STEP

## LINE ARRAY ELEVATION IN MECHANISM MODE

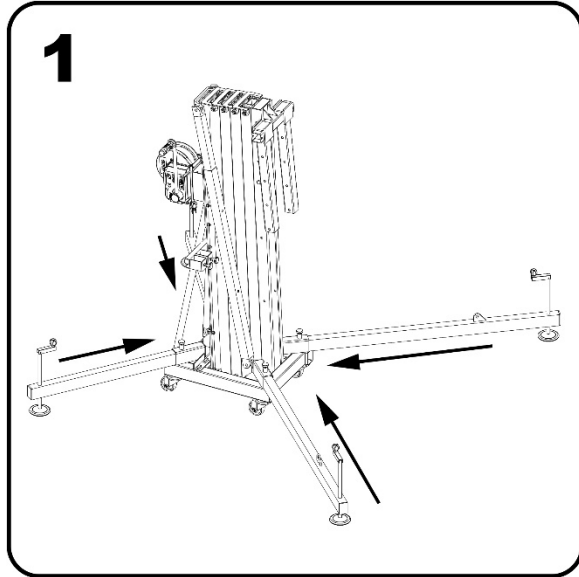


Figure 28

Fix and secure the stabilizer legs to the base.

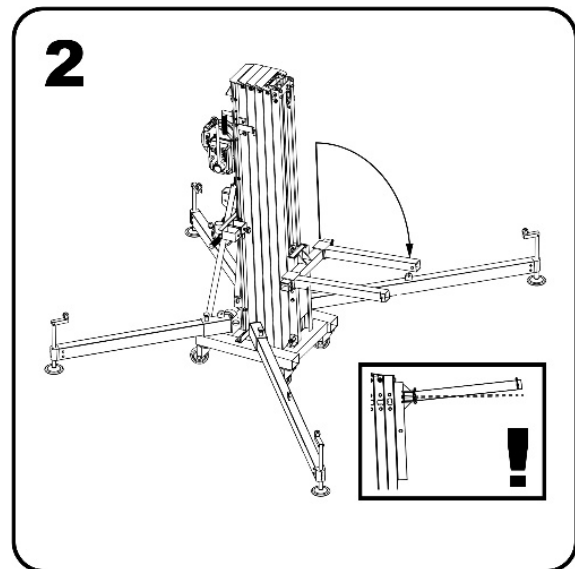


Figure 29

Turn the forks and adjust to the desired width. Ensure it with the pins.

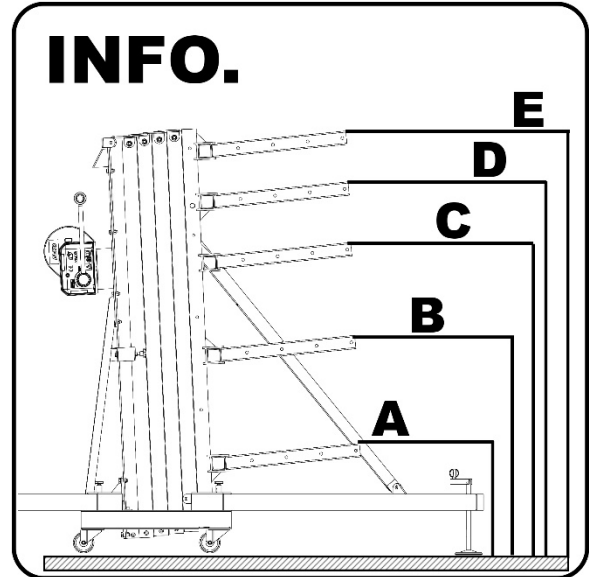


Figure 30

WTS towers have the option of changing the position of the carriage. Therefore, depending on the use, the load can be raised from different heights. The carriage can be rotated to obtain the required height.

WTS	A	B	C	D	E
256	435	695	1105	1315	1505
375	435	695	1105	1315	1505

Dimensions in mm.

Figure 31

WTS	A	B	C	D	E
256	17,13	27,36	43,5	51,77	59,25
375	17,13	27,36	43,5	51,77	59,25

Dimensions in inches.

Figure 32



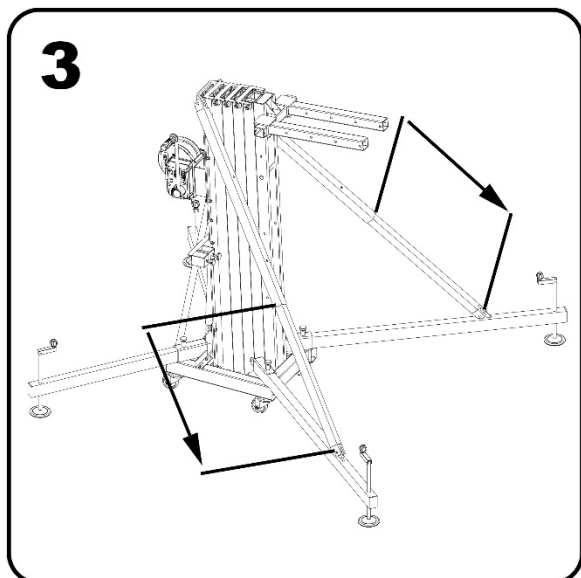


Figure 33

Place the reinforcement bars and fix them with its pins to the frontal legs.

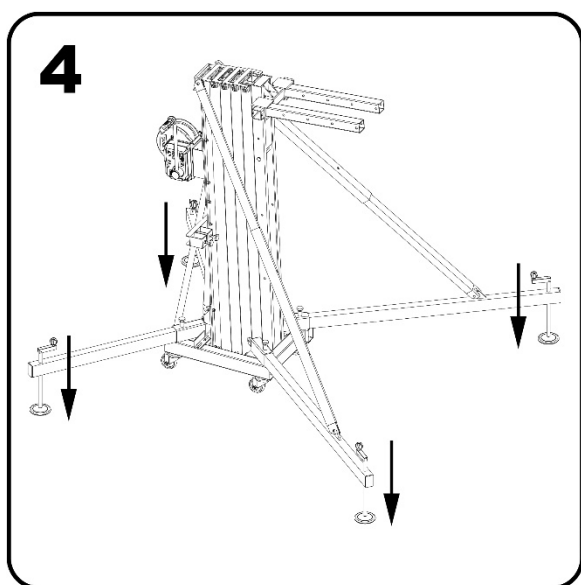


Figure 34

Place the tower in its working position and level until the bubble level is centered. Wheels should not get in contact with the ground.


Calculate the load to be lifted with the tower. An example of basic load calculation is attached.

ITEM	WEIGHT (kg)	QUANTITY	TOTAL (kg)
Line array accessory	5,5	1	5,5
Bumper	35	1	35
Loudspeakers	28	4	112
Cables	20	1	20
			172,5

Figure 35

In this example we have obtained a weight of 172,5 kg.

With that load, see what position the load should have on the forks of the tower. Take into account that the inclination of the loudspeakers and the bumper should not lean against any part of the tower.



WTS	UNIT	AS MECHANISM				
		P1	P2	P3	P4	P5
905	lbs	992	970	928	895	
	kg	450	440	420	406	
1206	lbs	1213	1168	1146	1124	1080
	kg	550	530	520	510	490
708	lbs	992	970	948	926	882
	kg	450	440	430	420	400
506	lbs	1124	882	772	661	
	kg	510	400	350	300	
256	lbs	573	482	419	353	
	kg	260	220	190	160	
375	lbs	772	639	529	507	
	kg	350	290	240	230	

Figure 36

Choose the WTS tower model. Check for the value immediately above the load you need. With this value, take the farthest position to which the accessory for flying must be placed. It is recommended that this position is always as close to the carriage as possible.

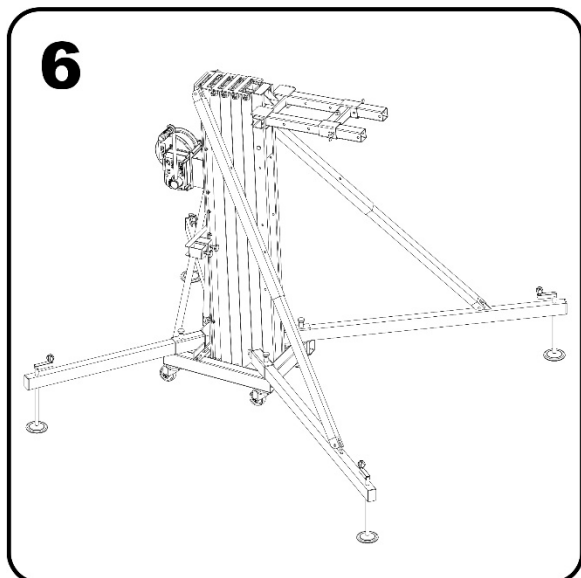


Figure 37

Place the accessory in the calculated position. Block it making sure that the screws are inserted into the hole of the fork position.

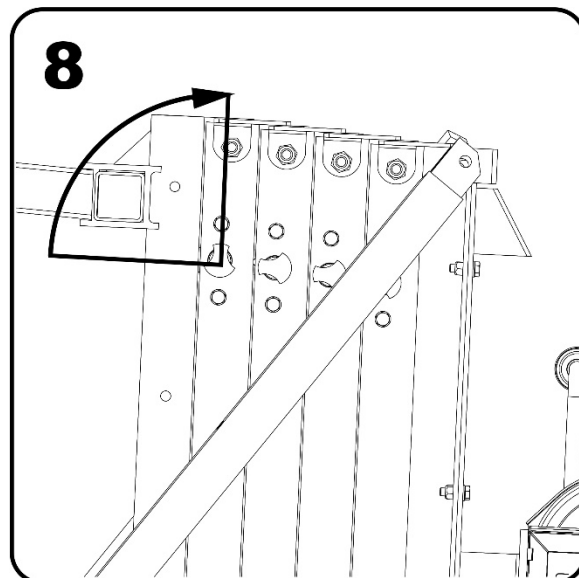


Figure 39

Unlock the mast safety system. Operate the winch handle to raise the load.

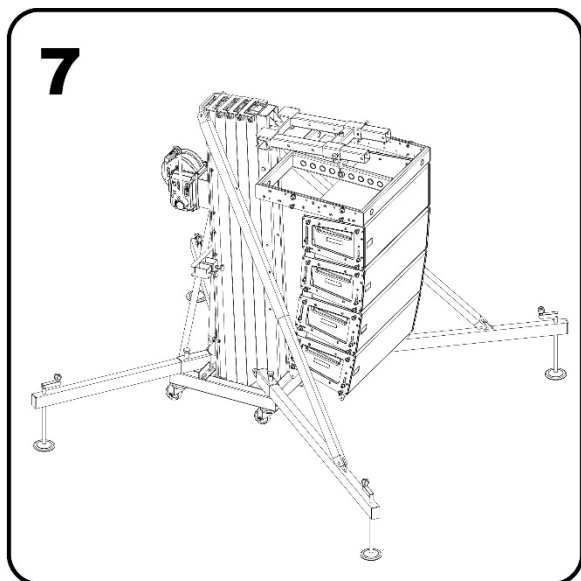


Figure 38

Join the line array equipment to the tower.

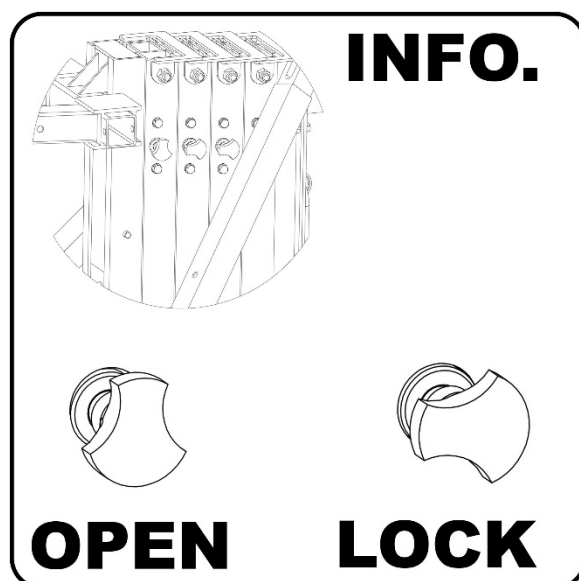


Figure 40



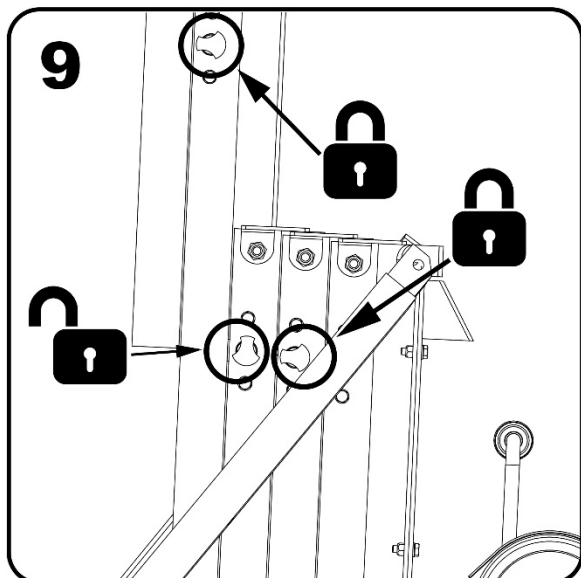


Figure 41

When the section reaches its limit, lock with the security system and unlock the following security system to lift the next mast. Do the same operation until you reach the required height.

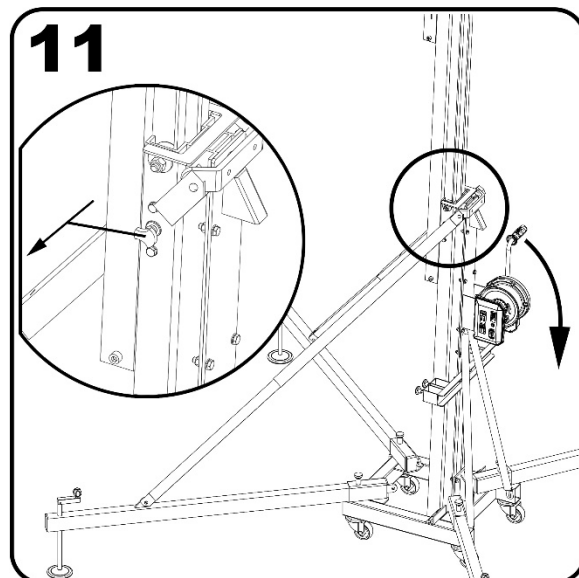


Figure 43

To descend the load: **Tense the cable and unlock the first security system.** Turn the winch while keeping the safety system unlocked with your other hand. If the safety system is not operated with one hand, the tower will lower until it is locked.

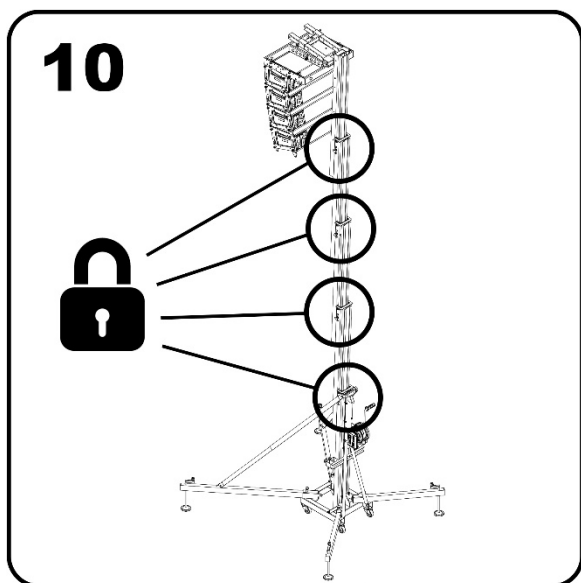


Figure 42

All security systems must be in locked position. Slack the cable of the winch so that the system can stabilize correctly.



**WARNING!** If the tower is attempted to go down without tension in the cable and any of the safety systems are activated, a dangerous situation will occur because the load will descend very abruptly, being able to destabilize the whole installation and incurring in a serious accident.

Once the load is descended, block all sections and follow steps 4 to 1 (in that order).

# LINE ARRAY ELEVATION IN STRUCTURAL MODE

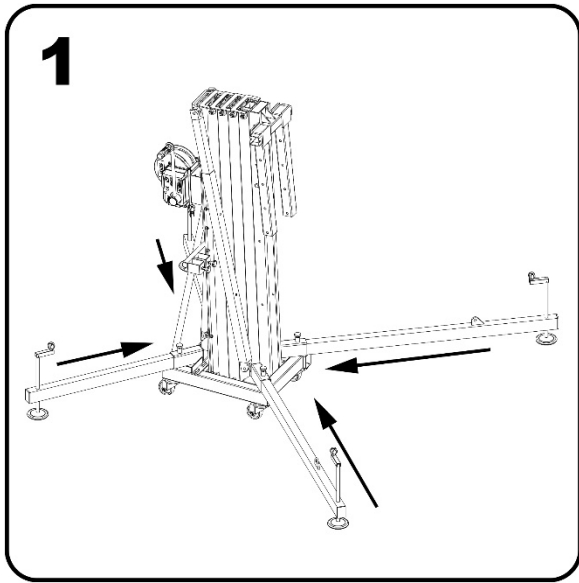


Figure 44

Fix and secure the stabilizer legs to the base.

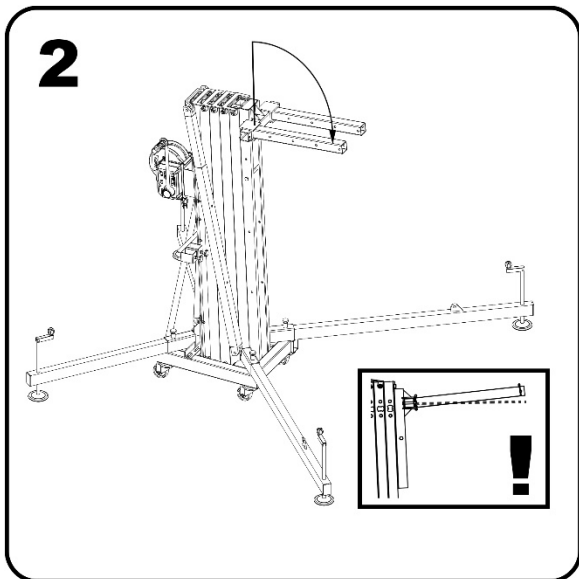


Figure 45

Turn the forks and adjust to the desired width. Ensure it with the pins.

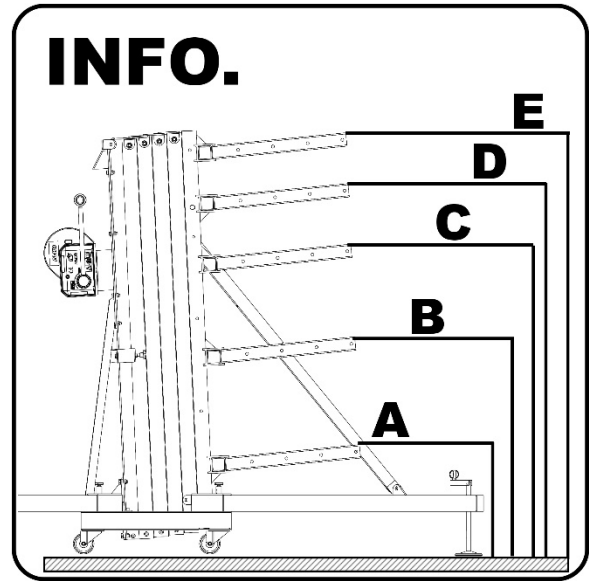


Figure 46

WTS towers have the option of changing the position of the carriage. Therefore, depending on the use, the load can be raised from different heights. The carriage can be rotated to obtain the required height.

WTS	A	B	C	D	E
256	435	695	1105	1315	1505
375	435	695	1105	1315	1505

Dimensions in mm.

Figure 47

WTS	A	B	C	D	E
256	17,13	27,36	43,5	51,77	59,25
375	17,13	27,36	43,5	51,77	59,25

Dimensions in inches.

Figure 48

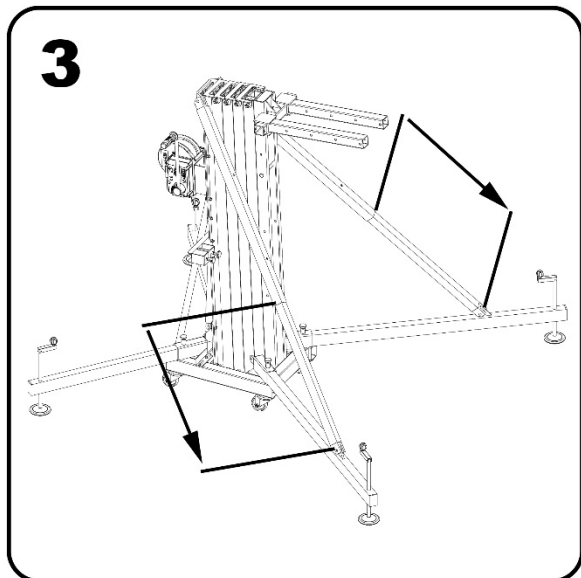


Figure 49

Place the reinforcement bars and fix them with its pins to the frontal legs.

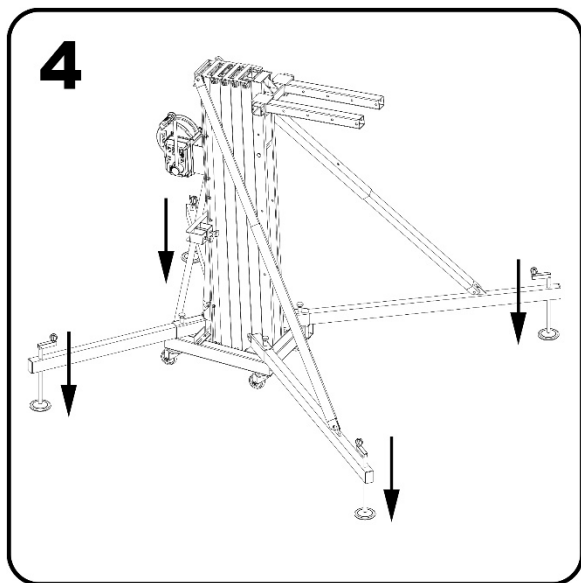


Figure 50

Place the tower in its working position and level until the bubble level is centered. Wheels should not get in contact with the ground


Calculate the load to be lifted with the tower. An example of basic load calculation is attached.

ITEM	WEIGHT (kg)	QUANTITY	TOTAL (kg)
Line array accessory	5,5	1	5,5
Bumper	35	1	35
Loudspeakers	28	6	168
Cables	30	1	30
			238,5

Figure 51

In this example we have obtained a weight of 238,5 kg.

With that load, see what position the load should have on the forks of the tower. Take into account that the inclination of the loudspeakers and the bumper should not lean against any part of the tower.



WTS	UNIT	AS STRUCTURE				
		P1	P2	P3	P4	P5
905	lbs	1984	1653	1433	1336	
	kg	900	750	650	606	
1206	lbs	2646	2425	2094	1808	1543
	kg	1200	1100	950	820	700
708	lbs	1543	1367	1213	1047	882
	kg	700	620	550	475	400
506	lbs	1124	882	772	661	
	kg	510	400	350	300	
256	lbs	573	482	419	353	
	kg	260	220	190	160	
375	lbs	838	705	573	507	
	kg	380	320	260	230	

Figure 52

Choose the WTS tower model. Check for the value immediately above the load you need. With this value, take the exact position to which the accessory for flying must be placed.

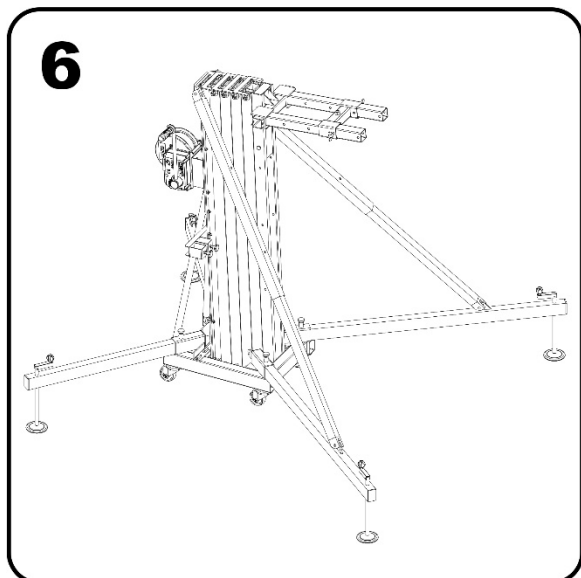


Figure 53

Place the accessory in the calculated position.

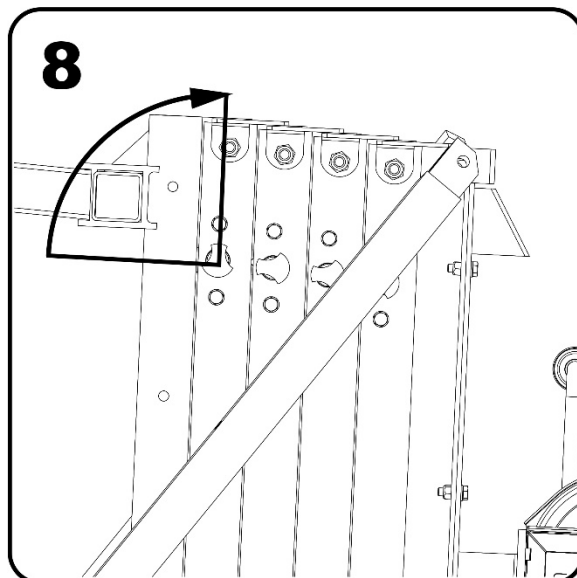


Figure 55

Unlock the mast safety system. Operate the handle of the winch to raise the load.

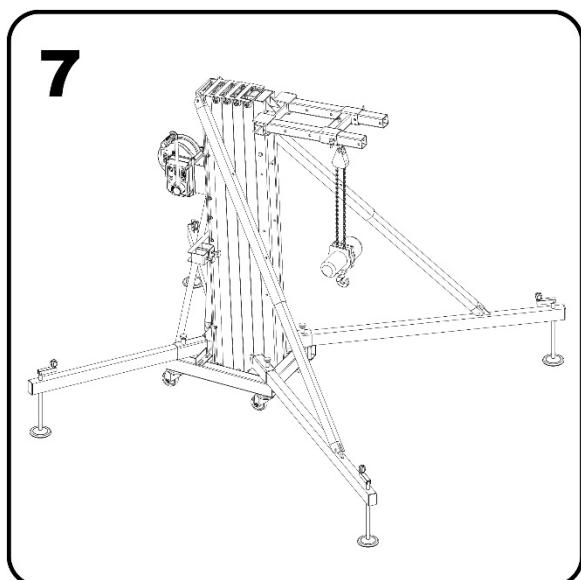


Figure 54

Hung the hoist on the tower support. The hoist must have a path equal to or greater than the maximum height of the tower.

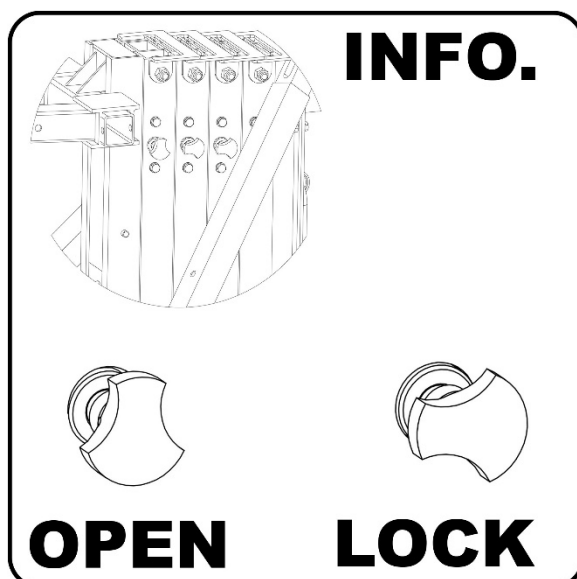


Figure 56



**IMPORTANT !!! FOR THIS PURPOSE, USE ONLY MANUAL HOISTS**

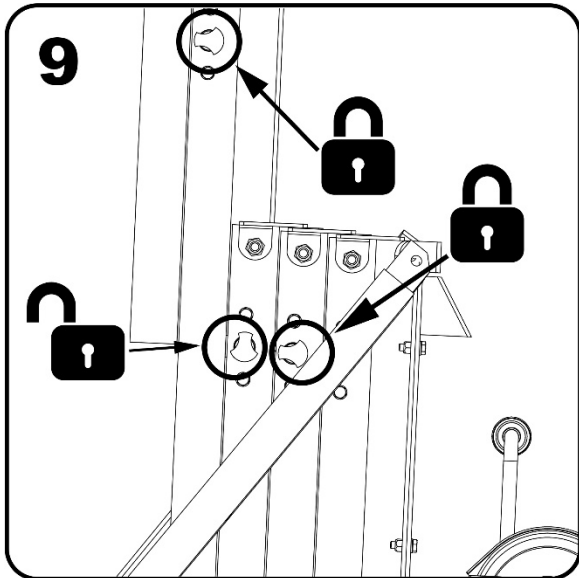


Figure 57

When the section reaches its end of path, lock with the safety system and unlock the next safety system to raise the next mast. Perform the same operation until you reach the required height.

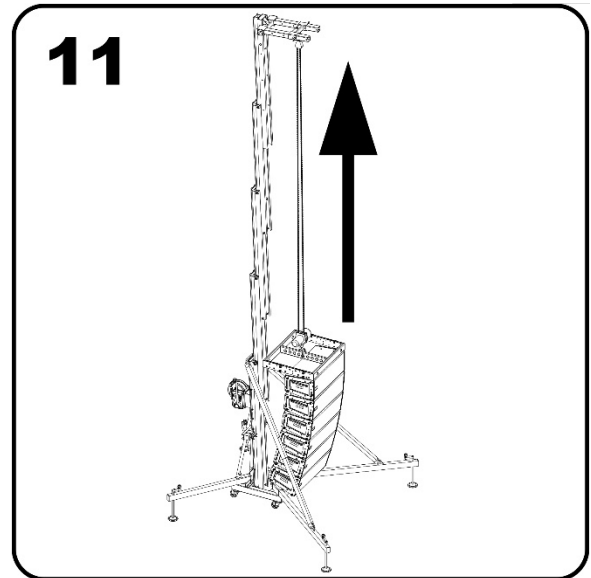


Figure 59

Raise the load with the hoist to the required height.

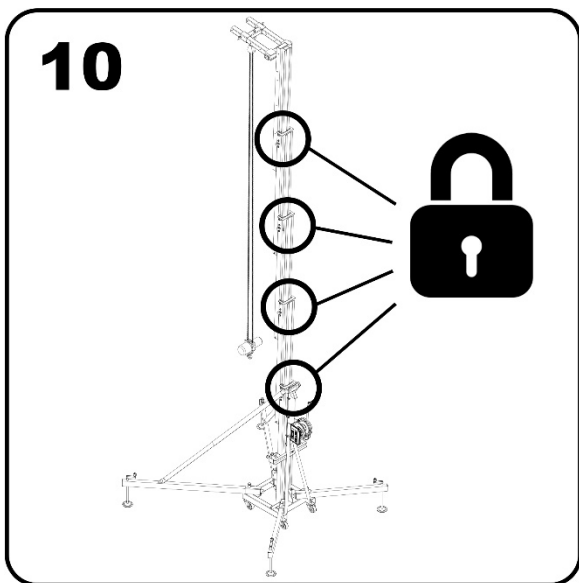


Figure 58

All security systems must be in locked position. Slacken the cable of the winch so that the system can stabilize correctly.

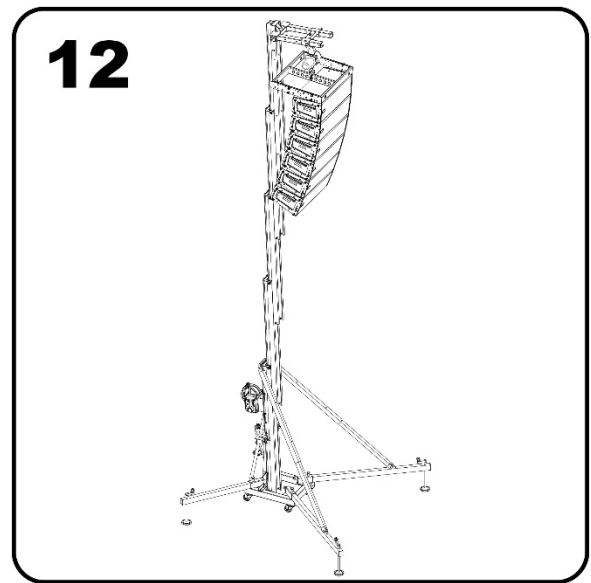


Figure 60

Take into account the space of the hoist. This dimension causes that the maximum height of the tower to be reduced.

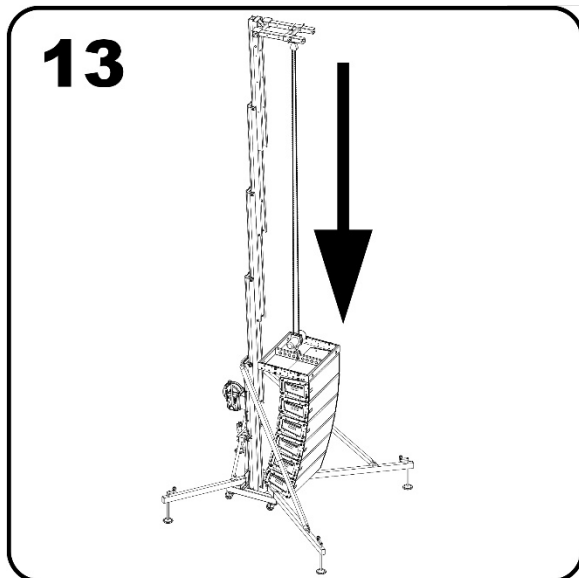


Figure 61

**To descend the load:** Descend the load with the hoist until it is just above the ground. **The load should never be descended with the tower winch.**



**WARNING!** If the tower is attempted to go down without tension in the cable and any of the safety systems are activated, a dangerous situation will occur because the load will descend very abruptly, being able to destabilize the whole installation and incurring in a serious accident.

Once the load is descended, block all sections and follow steps 4 to 1 (in that order).

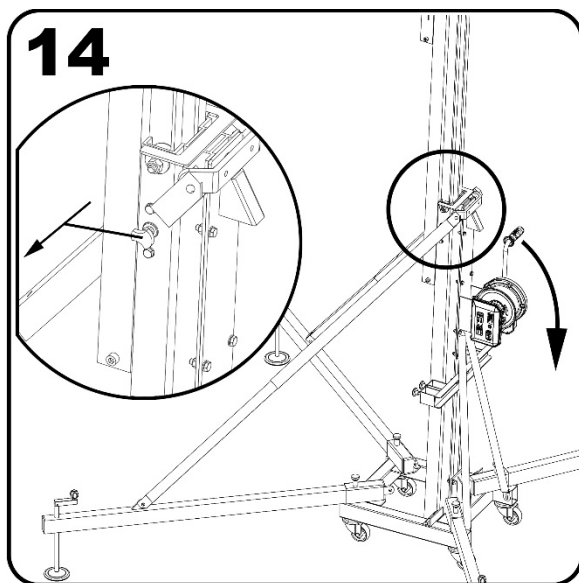


Figure 62

To descend the tower: **Tense the cable and unlock the first security system.** Turn the winch while keeping the safety system unlocked with your other hand. If the safety system is not operated with one hand, the tower will descend until it is locked.

# TRUSS SYSTEM ELEVATION IN MECHANISM MODE

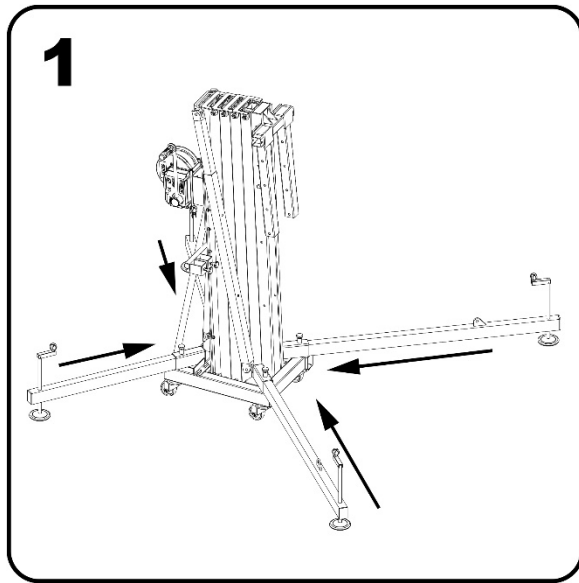


Figure 63

Fix and secure the stabilizer legs to the base.

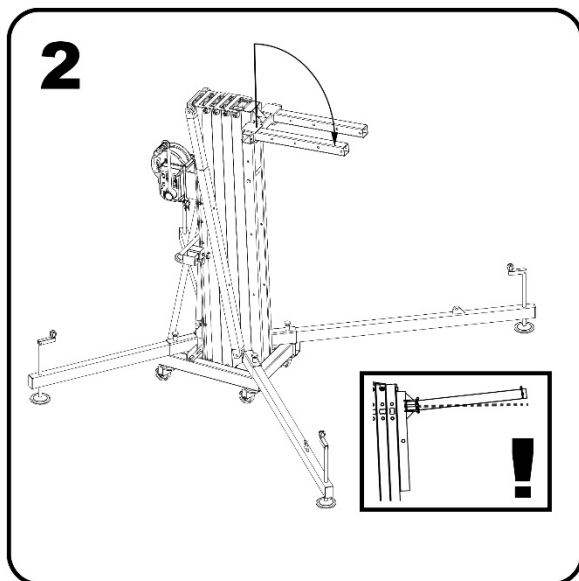


Figure 64

Turn the forks and adjust to the desired width. Ensure it with the pins.

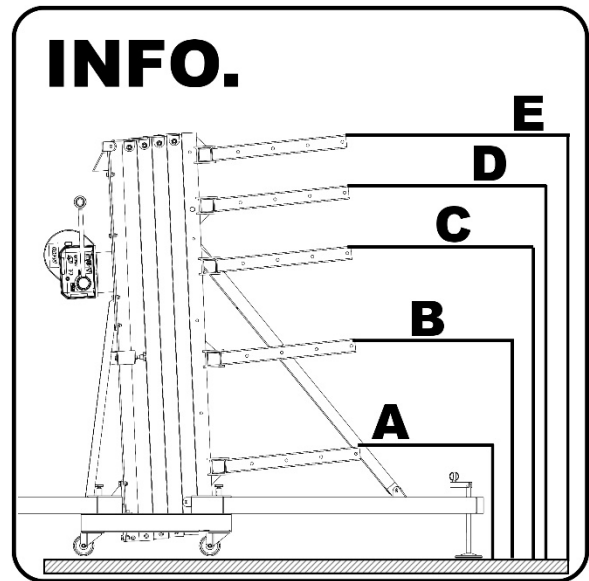


Figure 65

WTS towers have the option to change the position of the carriage. Therefore, depending on the use, the load can be raised from different heights. The carriage can be rotated to obtain the required height.

WTS	A	B	C	D	E
256	435	695	1105	1315	1505
375	435	695	1105	1315	1505

Dimensions in mm.

Figure 66

WTS	A	B	C	D	E
256	17,13	27,36	43,5	51,77	59,25
375	17,13	27,36	43,5	51,77	59,25

Dimensions in inches.

Figure 67

In case of using the tower in its positions A and B: Raise the load until reaching the position C and then follow steps from 3 onwards.



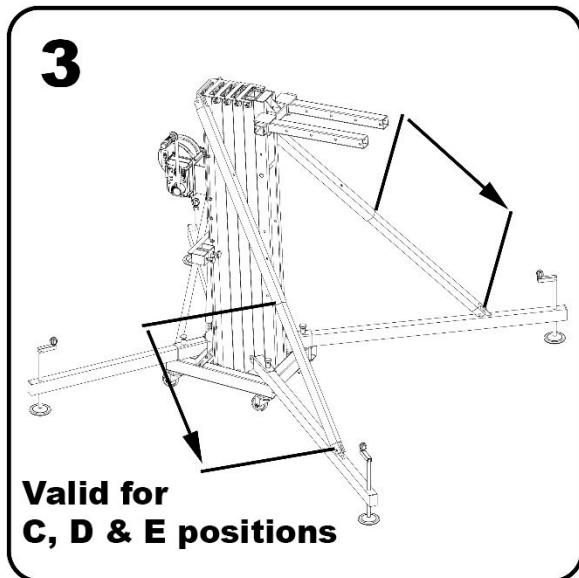


Figure 68

Place the reinforcement bars and fix them with its pins to frontal legs.

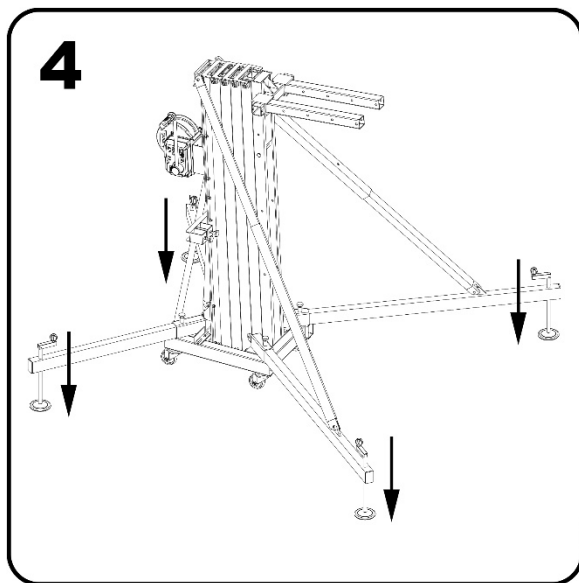


Figure 69

Place the tower in its working position and level until the bubble level is centered. Wheels should not get in contact with the ground


Calculate the load to be lifted with the tower. An example of basic load calculation is attached.

ITEM	WEIGHT (kg)	QUANTITY	TOTAL (kg)
Truss accessory	0,75	2	1,5
Complete truss system	53,3	0,5	26,65
Loads	368	0,5	184
Cables	38	0,5	19
			231,15

Figure 70

In this example we have a weight of 231,15 kg.

With that load, check what position the load should have on the tower fork. Take into account that the truss is supported by two points of the fork. To find out which is the largest load, take the farthest position from the base of the fork.



WTS	UNIT	AS MECHANISM				
		P1	P2	P3	P4	P5
905	lbs	992	970	938	895	
	kg	450	440	430	406	
1206	lbs	1213	1168	1146	1124	1080
	kg	550	530	520	510	490
708	lbs	992	970	948	926	882
	kg	450	440	430	420	400
506	lbs	1124	882	772	661	
	kg	510	400	350	300	
256	lbs	573	482	439	353	
	kg	260	220	190	160	
375	lbs	772	639	529	507	
	kg	350	290	240	230	

Figure 71

Choose the WTS tower model. Check for the value immediately above the load you need. With this value, take the exact position to which the accessory for fixing the truss must be placed.



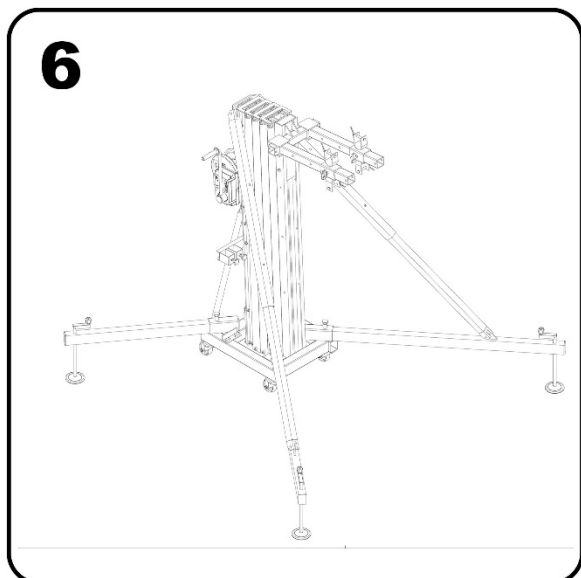


Figure 72

Place the accessory in the calculated position.

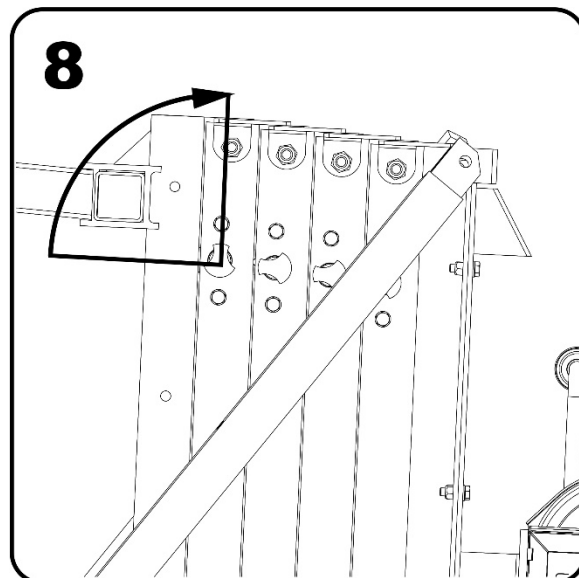


Figure 74

Unlock the mast safety system. Operate the winch handle to raise the load.

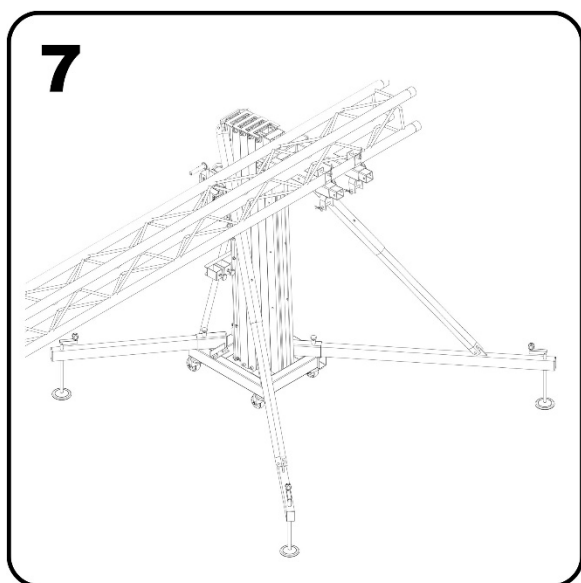


Figure 73

Join the truss system to the tower.

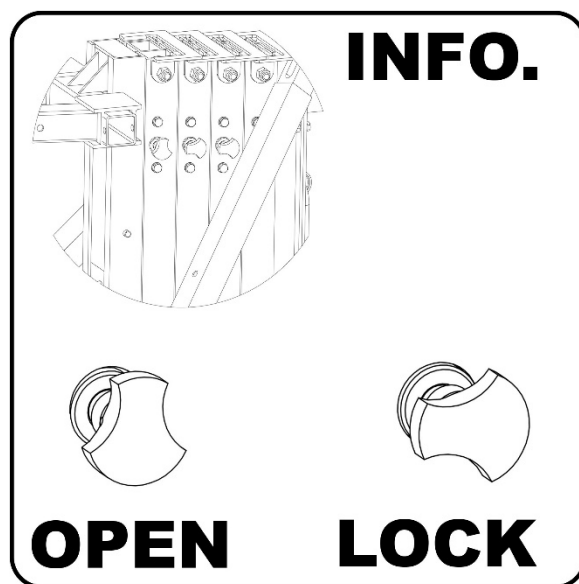


Figure 75

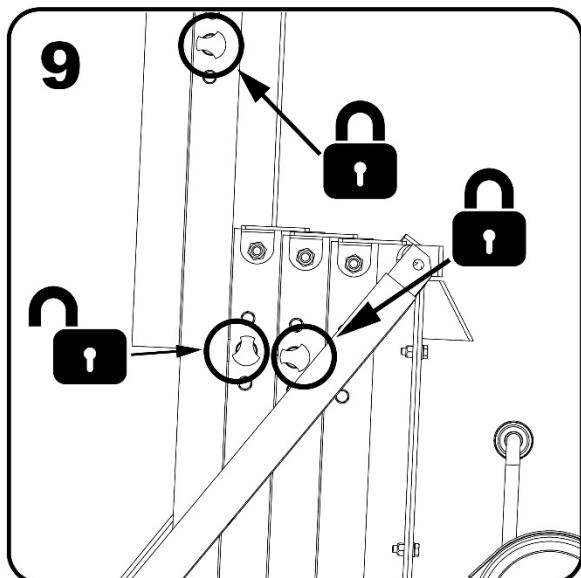


Figure 76

When the section reaches its end of path, lock with the safety system and unlock the next safety system to raise the next mast. Perform the same operation until you reach the required height.

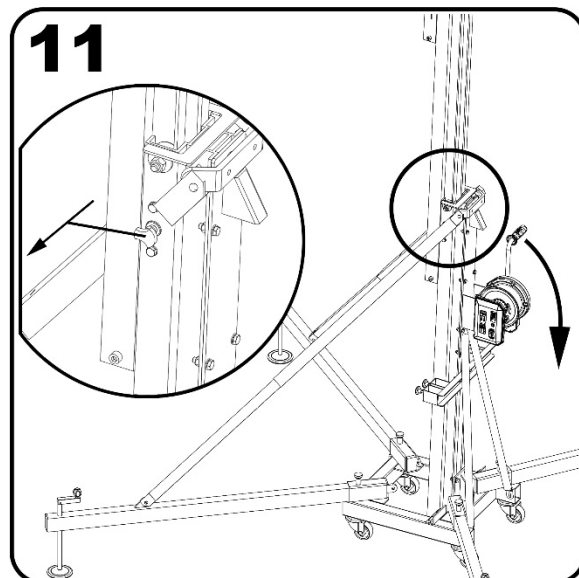


Figure 78

To descend the load: **Tense the cable and unlock the first security system.** Turn the winch while keeping the safety system unlocked with your other hand. If the safety system is not operated with one hand, the tower will descend until it is locked.

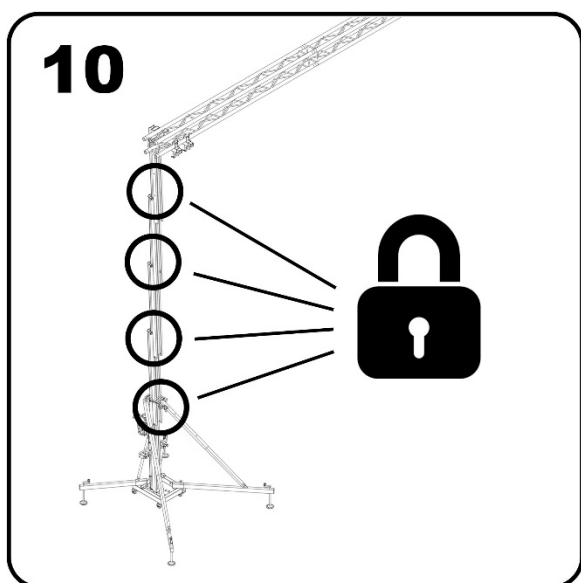


Figure 77

All safety systems must be in their locked position. Slack the cable from the winch so that the system is seated.

**WARNING!** The rate of rise and descend should be similar. If the structure rises or descends faster at one end, a destabilization of the entire facility can occur, causing a serious accident.



**WARNING!** If the tower is attempted to go down without tension in the cable and any of the safety systems are activated, a dangerous situation will occur because the load will descend very abruptly, being able to destabilize the whole installation and incurring in a serious accident.

Once the load is descended, block all sections and follow steps 4 to 1.

# TRUSS SYSTEM ELEVATION IN STRUCTURAL MODE

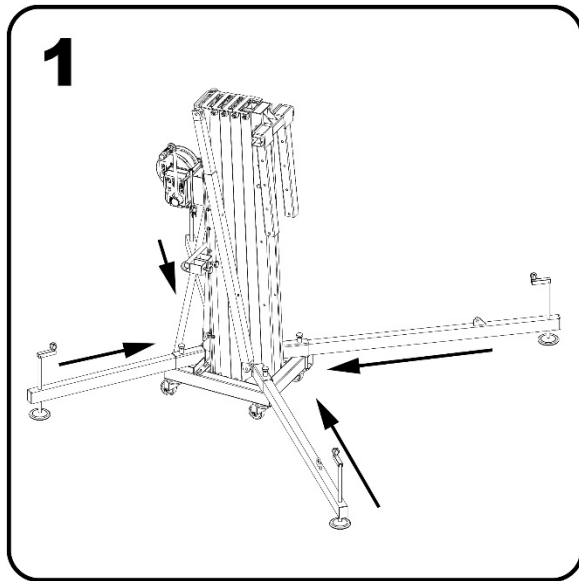


Figure 79

Fix and secure the stabilizer legs to the base.

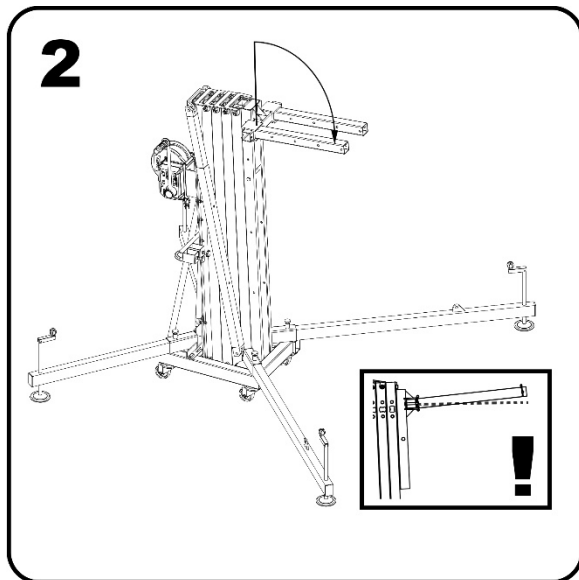


Figure 80

Turn the forks and adjust to the desired width. Ensure it with the pins.

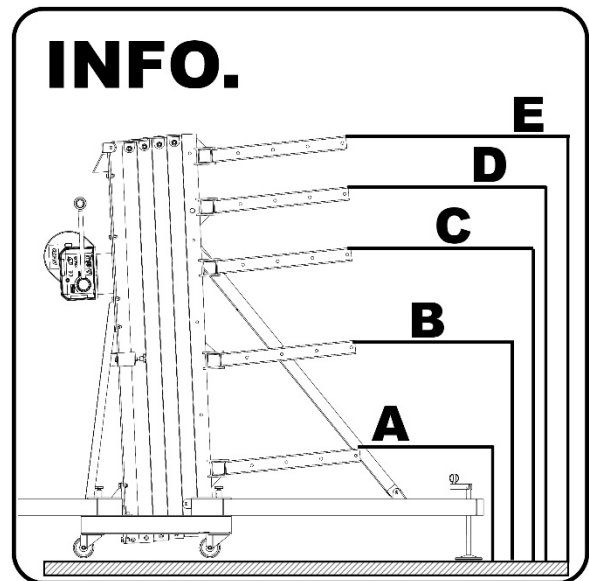


Figure 81

WTS towers have the option to change the position of the carriage. Therefore, depending on the use, the load can be raised from different heights. The carriage can be rotated to obtain the required height.

WTS	A	B	C	D	E
256	435	695	1105	1315	1505
375	435	695	1105	1315	1505

Dimensions in mm.

Figure 82

WTS	A	B	C	D	E
256	17,13	27,36	43,5	51,77	59,25
375	17,13	27,36	43,5	51,77	59,25

Dimensions in inches.

Figure 83

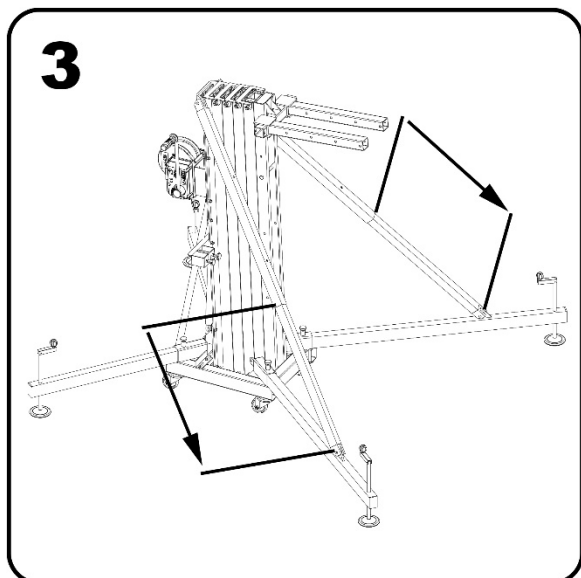


Figure 84

Place the reinforcement bars and fix them with its pins to the frontal legs.

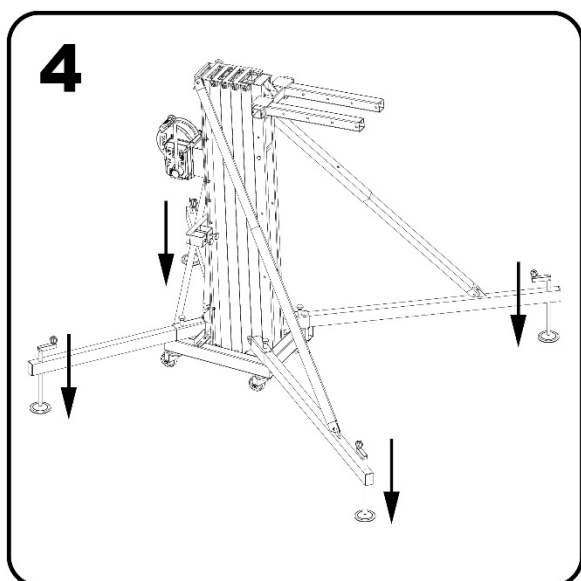


Figure 85

Place the tower in its working position and level until the bubble level is centered. Wheels should not get in contact with the ground.


Calculate the load to be lifted with the tower. An example of basic load calculation is attached.

ITEM	WEIGHT (kg)	QUANTITY	TOTAL (kg)
Truss accessory	0,75	2	1,5
Complete truss system	53,3	0,5	26,65
Loads	368	0,5	184
Cables	38	0,5	19
			231,15

Figure 86

In this example we have a weight of 231.15 kg.

With that load, see what position the load should have on the tower fork. Take in account that the truss is supported by two points of the fork. To find out which is the largest load, take the position farthest from the base of the fork.



WTS	UNIT	AS STRUCTURE				
		P1	P2	P3	P4	P5
905	lbs	1534	1653	1433	1336	
	kg	900	750	650	606	
1206	lbs	2646	2425	2094	1808	1543
	kg	1200	1100	950	820	700
708	lbs	1543	1367	1213	1047	882
	kg	700	620	550	475	400
506	lbs	1124	882	772	661	
	kg	510	400	350	300	
256	lbs	573	482	419	353	
	kg	260	220	190	160	
375	lbs	838	705	573	507	
	kg	380	320	260	230	

Figure 87

Choose the WTS tower model. Check for the value immediately above the load you need. With this value, take the exact position to which the accessory for fixing the truss must be placed.

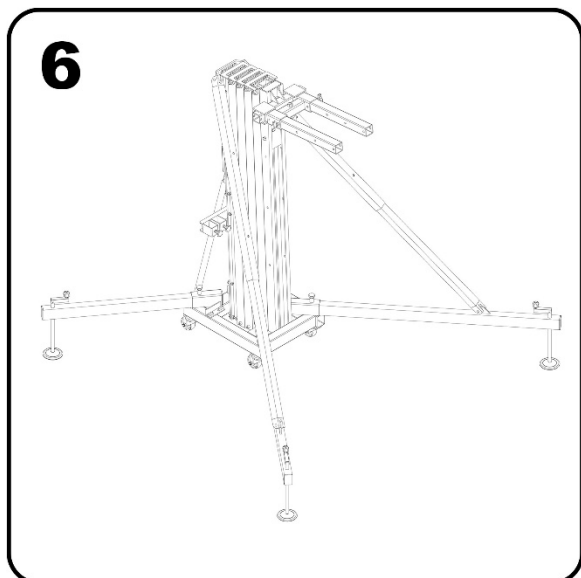


Figure 88

Place the accessory in the calculated position.

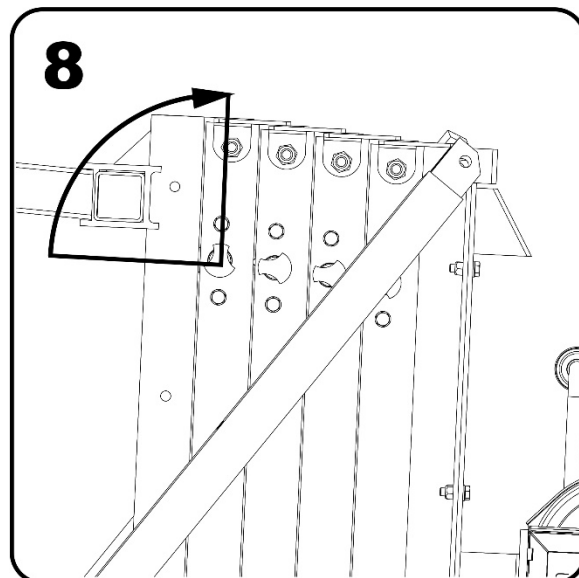


Figure 90

Unlock the mast safety system. Operate the winch handle to raise the load.

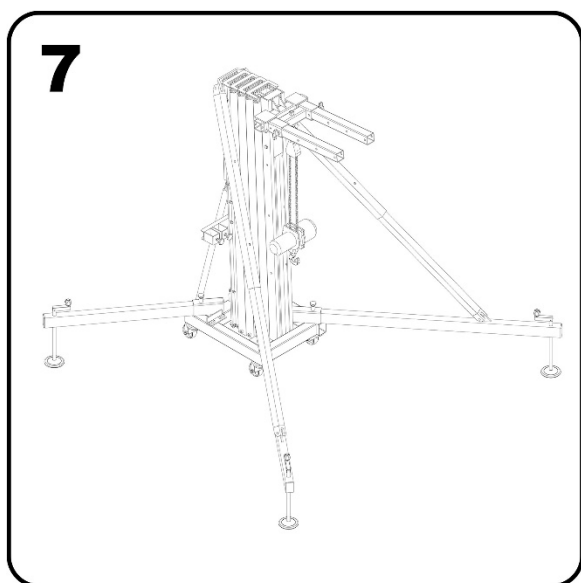


Figure 89

Join the truss system to the tower.

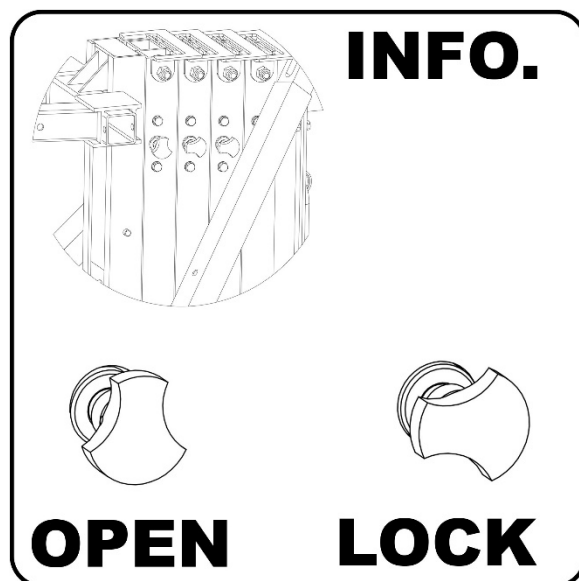


Figure 91



**IMPORTANT !!! FOR THIS PURPOSE, USE ONLY MANUAL HOISTS**

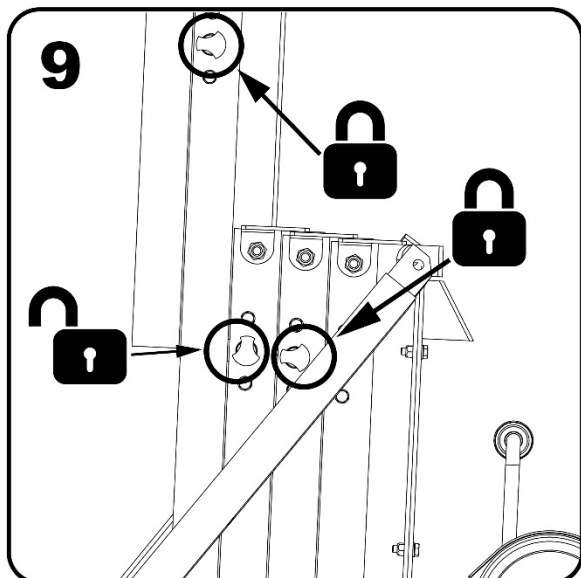


Figure 92

When the section reaches its end of path, lock with the safety system and unlock the next safety system to raise the next mast. Perform the same operation until you reach the required height.

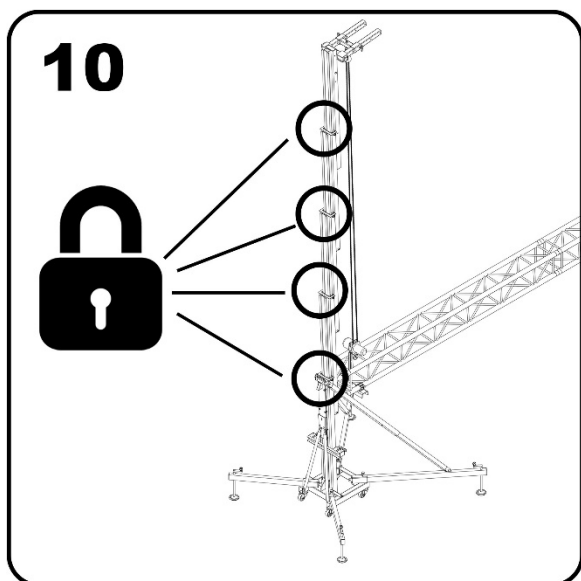


Figure 93

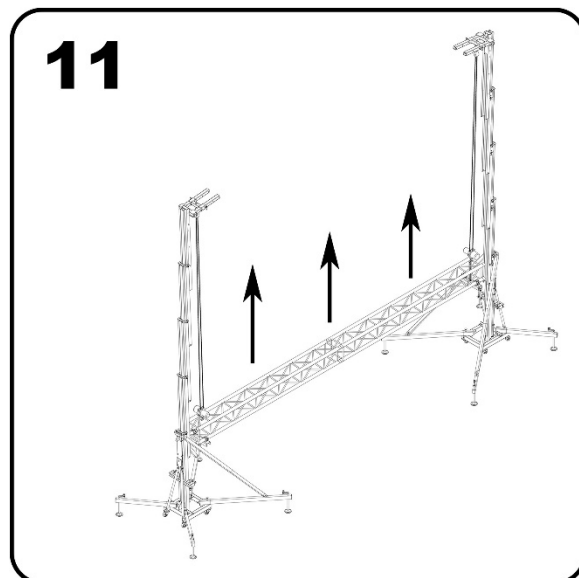


Figure 94

All safety systems must be in their locked position. Slack the cable from the winch so that the system is seated.



**WARNING!** The rate of rise and descend should be similar. If the structure rises or descend faster at one end, a destabilization of the entire facility can occur, causing a serious accident.

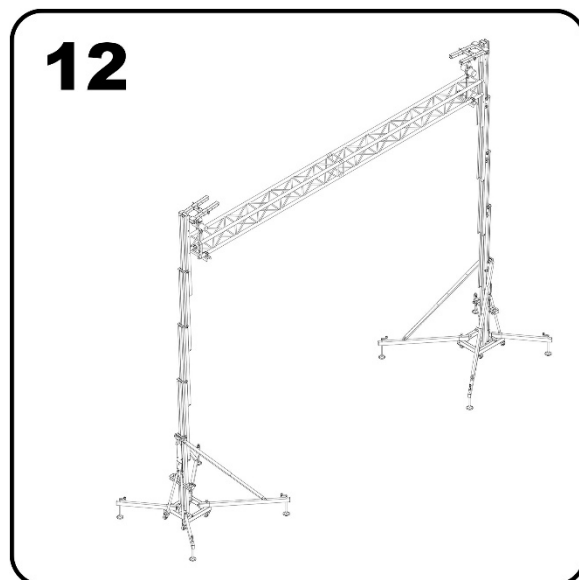


Figure 95

To descend the load: **Tense the cable and unlock the first security system.** Turn the winch while keeping the safety system unlocked with your other hand. If the safety system is not operated

with one hand, the tower will descend until it is locked.

Once the load is descended, block all sections and follow steps 4 to 1 (in that order).

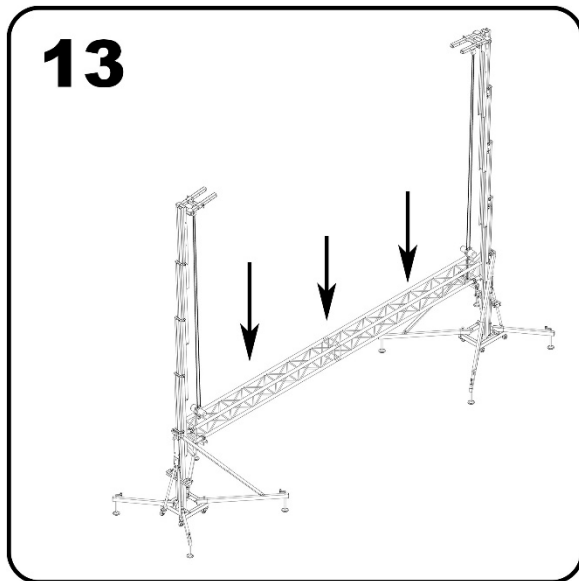


Figure 96

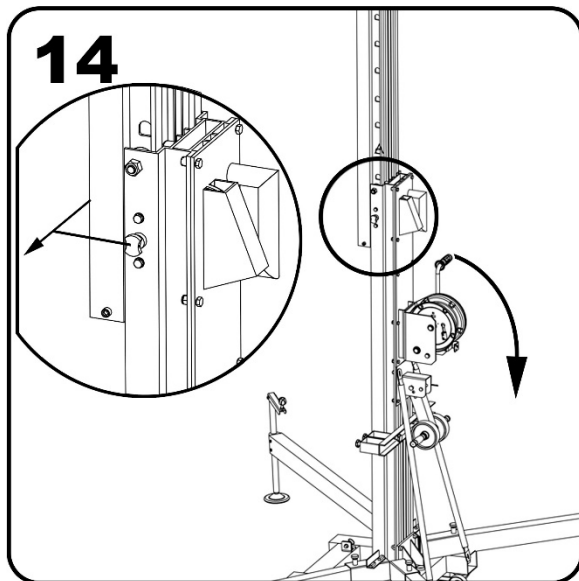


Figure 97



**WARNING!** If the tower is attempted to go down without tension in the cable and any of the safety systems are activated, a dangerous situation will occur because the load will descend very abruptly,

being able to destabilize the whole installation and incurring in a serious accident.

## USING THE TOWER IN STRUCTURAL MODE (WIND CONDITION)

The towers used in the structural mode form a column type system that can withstand higher loads than the mechanism mode.

In order to be able to use the towers outdoors and subjected to bursts of wind, you should contact an engineer in the area or our technical department to study the case

In outdoor use many factors must be taken into account, the most important are:

- Wind gusts
- Total exposed area
- Working height
- Angle of the braces
- Weights and distance to the tower
- Rigging of all joints
- Etc ...

As an operating guide, the towers involved in this manual can be used outdoors as long as they are in structural mode and the maximum loads are those of the mechanism mode.

This is because the loads transmitted by the winds are transmitted vertically from the tower to the ground, adding an overload that depends on several factors. This overload is added to the maximum load of the tower.

**If it is not calculated in each specific case of use, it is possible to take as base the data contained in the load chart (figure 100) operating the tower as mechanism for security purposes.**



**IMPORTANT !! FOR THIS PURPOSE, USE ONLY MANUAL HOISTS**



# STANDARDS TAKEN INTO ACCOUNT

DEUTSCHE NORM

**DIN 56950-3**

ICS 97.200.10

Veranstaltungstechnik –  
Maschinentechnische Einrichtungen –  
Teil 3: Sicherheitstechnische Anforderungen an Stative und Traversenlifte


Entertainment technology –  
Machinery installations –  
Part 3: Safety requirements for stands and truss lifts of stands

Technique événementielle –  
Équipement pour machinerie scénique –  
Partie 3: Exigences relatives à la sécurité des pieds et éléva

Erstausgabe  
DIN 15560-27:2006-01  
siehe Anwendungsbeginn

Dezember 2015

**DIN**



**DGUV**  
Deutsche Gesetzliche  
Unfallversicherung  
Spitzenverband

**DGUV Vorschrift 17**

Unfallverhütungsvorschrift  
**Veranstaltungs- und**

DEUTSCHE NORM

**DIN 56950-1**

ICS 97.200.10

Entertainment technology –  
Machinery installations –  
Part 1: Safety requirements and inspection,  
English translation of DIN 56950-1:2012-05

Veranstaltungstechnik –  
Maschinentechnische Einrichtungen –  
Teil 1: Sicherheitstechnische Anforderungen und Prüfung,  
Englische Übersetzung von DIN 56950-1:2012-05

Technique événementielle –  
Équipement pour machinerie scénique –  
Partie 1: Exigences et examens relatifs à la sécurité,  
Traduction anglaise de DIN 56950-1:2012-05


Supersedes  
DIN 56950-2005-04  
See start of application

May 2012

**DIN**

# EUROCÓDIGOS

NORMA EUROPEA  
EXPERIMENTAL



UNE-ENV 1999-1-1  
Febrero 2000

## EUROCÓDIGO 9

### PROYECTO DE ESTRUCTURAS DE ALUMINIO

#### PARTE 1-1: REGLAS GENERALES

#### REGLAS GENERALES Y REGLAS PARA EDIFICACIÓN

**AENOR** Asociación Española de  
Normalización y Certificación

L 157/24 15 Diario Oficial de la Unión Europea 9.6.2006

**DIRECTIVA 2006/42/CE DEL PARLAMENTO EUROPEO Y DEL CONSEJO**  
de 17 de mayo de 2006  
relativa a las máquinas y por la que se modifica la Directiva 95/16/CE (refundición)  
(Texto pertinente a efectos del EEE)

EL PARLAMENTO EUROPEO Y EL CONSEJO DE LA UNIÓN EUROPEA,

Visto el Tratado constitutivo de la Comunidad Europea y, en particular, su artículo 95,

Vista la propuesta de la Comisión (1),

Visto el dictamen del Comité Económico y Social Europeo (2),

De conformidad con el procedimiento establecido en el artículo 251 del Tratado (3),

Considerando lo siguiente:

- (1) La Directiva 98/37/CE del Parlamento Europeo y del Consejo, de 22 de junio de 1998, relativa a la aproximación de las legislaciones de los Estados miembros sobre máquinas (4), constituye la codificación de la Directiva 89/392/CE (5). Con ocasión de nuevas modificaciones sustanciales introducidas en la Directiva 98/37/CE es conveniente, para mayor claridad, proceder a la refundición de la citada Directiva.
- (2) El sector de las máquinas constituye una parte importante del sector de la mecánica y uno de los pilares sociales de la economía de la Comunidad. El coste humano derivado del importante número de accidentes provocados frecuentemente por la utilización de máquinas puede reducirse integrando la seguridad en las fases de diseño y fabricación de las máquinas y con una instalación y un mantenimiento correctos.
- (3) Corresponde a los Estados miembros garantizar en su territorio la seguridad y la salud de las personas, especialmente en el caso de los usuarios domésticos, así como, en particular, ante los riesgos derivados de la utilización de máquinas.
- (4) Con el fin de garantizar la seguridad jurídica de los usuarios, es necesario definir lo más concretamente posible el ámbito de aplicación de la presente Directiva y los conceptos relativos a su aplicación.
- (5) Las disposiciones obligatorias de los Estados miembros en materia de ascensores de obras de construcción descentrales, con frecuencia completadas por especificaciones técnicas obligatorias de hecho o por normas voluntarias, no dan lugar necesariamente a niveles de salud y seguridad diferentes a pesar de lo cual constituyen, por su disparidad, obstáculos a los intercambios comerciales dentro de la Comunidad. Además, los sistemas nacionales de acreditación de conformidad y de certificación de estas máquinas difieren considerablemente. Por tanto, conviene que los ascensores de obras de construcción destinados a la elevación de personas, o de personas y materiales, no estén excluidos del ámbito de aplicación de la presente Directiva.
- (6) Resulta conveniente excluir del ámbito de aplicación de la presente Directiva las armas, incluidas las armas de fuego, sujetas a la Directiva 91/477/CE del Consejo, de 18 de junio de 1991, sobre el control de la adquisición y tenencia de armas (6); la exclusión de las armas de fuego no se aplicará a las máquinas portátiles de fijación de carga explosiva y otras máquinas portátiles de impacto diseñadas únicamente para fines industriales o agrícolas. Resulta necesario establecer disposiciones transitorias que permitan a los Estados miembros asegurar la comercialización y la puesta en servicio de tales máquinas fabricadas de acuerdo con las normativas nacionales vigentes en su territorio en el momento de la adopción de la presente Directiva, incluyendo las de desarrollo del Convenio de 1 de julio de 1969 sobre el reconocimiento mutuo de las marcas de prueba en las armas de fuego portátiles. Dichas disposiciones transitorias permitirán también que los organismos europeos de normalización establezcan normas que garanticen un nivel de seguridad basado en el estado de la técnica.
- (7) La presente Directiva no debe aplicarse a la elevación de personas mediante máquinas no diseñadas para ese fin. No obstante, eso no afecta al derecho de los Estados miembros a adoptar medidas nacionales, de conformidad con el Tratado, respecto de dichas máquinas, con vistas a la aplicación de la Directiva 89/655/CE del Consejo, de 30 de noviembre de 1989, relativa a las disposiciones mínimas de seguridad y de salud para la utilización por los trabajadores en el trabajo de los equipos de trabajo (segunda Directiva específica con arreglo al apartado 1 del artículo 16 de la Directiva 89/391/CE) (7).

(1) DO L 256 de 23.7.1998, p. 1. Directiva modificada por la Directiva 98/27/CE del Consejo, de 14 de junio de 1998, relativa a la aproximación de las legislaciones de los Estados miembros sobre máquinas (DO L 153 de 29.6.1998, p. 9).

(2) DO C 154 de 29.5.2000, p. 164.

(3) DO C 311 de 21.10.2001, p. 1.

(4) Decisión del Parlamento Europeo de 4 de julio de 2000 (DO L 18 de julio de 2000) (DO C 293 E de 11.10.2001, p. 11). Posición del Parlamento Europeo de 15 de diciembre de 2005 (no publicada en el Diario Oficial). Decisión del Consejo de 25 de abril de 2006.

(5) DO L 207 de 23.7.1998, p. 1. Directiva modificada por la Directiva 98/27/CE (DO L 153 de 29.6.1998, p. 9).

(6) DO L 256 de 13.5.1991, p. 51.

(7) DO L 393 de 30.12.1989, p. 13. Directiva modificada en último lugar por la Directiva 2000/60/CE del Parlamento Europeo y del Consejo (DO L 195 de 19.7.2000, p. 46).



Figure 98

## PLACING THE LOAD

1. Determine the position where the load will be placed and consult the tower capacity. Never exceed it.
2. The "X" distance between the load is taken from the carriage to the end of the horns.
3. When possible, place the load as close to the carriage as possible. This prolongs the life of the tower.

TOWER	X in P1 (mm / inch)	X in P2 (mm / inch)	X in P3 (mm / inch)	X in P4 (mm / inch)	X in P5 (mm / inch)
WTS 1206	85	270	450	635	820
WTS 905 WTS 708	3.34	10.63	17.72	25	32.33
WTS 506	100	260	425	580	
	3.93	10.23	16.73	22.83	
WTS 375	95	225	355	485	
WTS 256	3.74	8.85	13.97	19.1	

Figure 99

Detail of the position of all points of load.

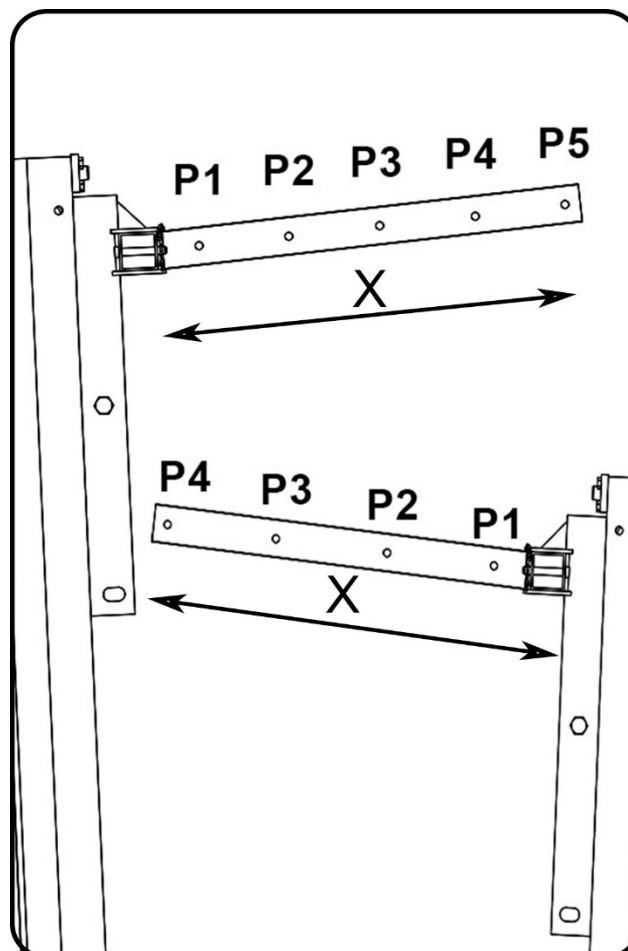


Figure 100

## LOAD CHART

The maximum loads supported by each tower model, for its maximum working height, can be consulted below:

### USING THE TOWER AS MECHANISM.

The tower behaves like a machine when lifting a load making use of the winch as a lifting element. In this case all the parts of the tower behave like a mechanism that uses pulleys, cables and guides to be able to execute the elevation of a load at a certain height.

### USING THE TOWER AS STRUCTURE.

The tower behaves like a structure when all the sections are blocked in such a way that the cable is without tension. In this case the locking system together with the profiles, base and legs act as a support column from which loads can be hung using some support elements such as manual or electric hoists.

WTS	UNIT	AS MECHANISM					AS STRUCTURE				
		P1	P2	P3	P4	P5	P1	P2	P3	P4	P5
905	lbs	992	970	926	895		1984	1653	1433	1336	
	kg	450	440	420	406		900	750	650	606	
1206	lbs	1213	1168	1146	1124	1080	2646	2425	2094	1808	1543
	kg	550	530	520	510	490	1200	1100	950	820	700
708	lbs	992	970	948	926	882	1543	1367	1213	1047	882
	kg	450	440	430	420	400	700	620	550	475	400
506	lbs	1124	882	772	661		1124	882	772	661	
	kg	510	400	350	300		510	400	350	300	
256	lbs	573	482	419	353		573	482	419	353	
	kg	260	220	190	160		260	220	190	160	
375	lbs	772	639	529	507		838	705	573	507	
	kg	350	290	240	230		380	320	260	230	

Figure 101

## GROUND COMPACTION DEGREE

Surfaces such as hard ground or gravel can vary in strength depending on the relative humidity. This relative humidity varies throughout the day, so the resistance of the ground to absorb the stress of the tower loaded also varies. Positioning a tower in these conditions can result in the ground falling under the tower supports, being able to cause a serious accident.

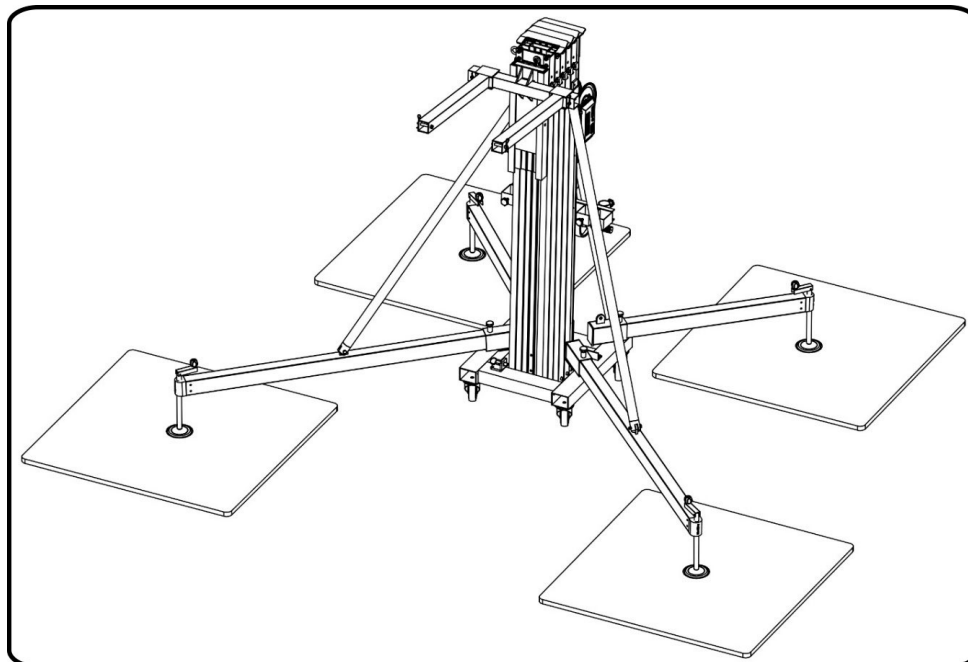


Figure 102

*Detail of plates place. Support must be centered with respect to the plate.*

To avoid this, it is advisable to put bases in the support, to facilitate uniform distribution on the ground, expanding the contact surface of each support. The following table lists the minimum area of these surfaces.

WTS TOWER MODEL	Side length of the plate in meters, and kg/m <sup>2</sup> that can support the ground.		
	150 kg/m <sup>2</sup>	250 kg/m <sup>2</sup>	350 kg/m <sup>2</sup>
WTS 905	1,4	1	0,9
WTS 1206	1,5	1,2	1
WTS 708	1,3	1	0,8
WTS 506	1,1	0,8	0,7
WTS 256	0,8	0,6	0,5
WTS 375	0,9	0,7	0,6

Figure 103

## DYNAMIC OVERLAP



Thanks to the continuous development of new solutions for the lifting towers, Work Lifters has developed and patented an innovative solution that increases the resistance of the towers and reduces their deflection. **Dynamic Overlap** makes that each tower section overlaps with the previous one at different distances, as with trees in nature. This means that all efforts are concentrated in the same way in all the sections of the tower. Thanks to this, the tower can withstand greater efforts with less deflection.

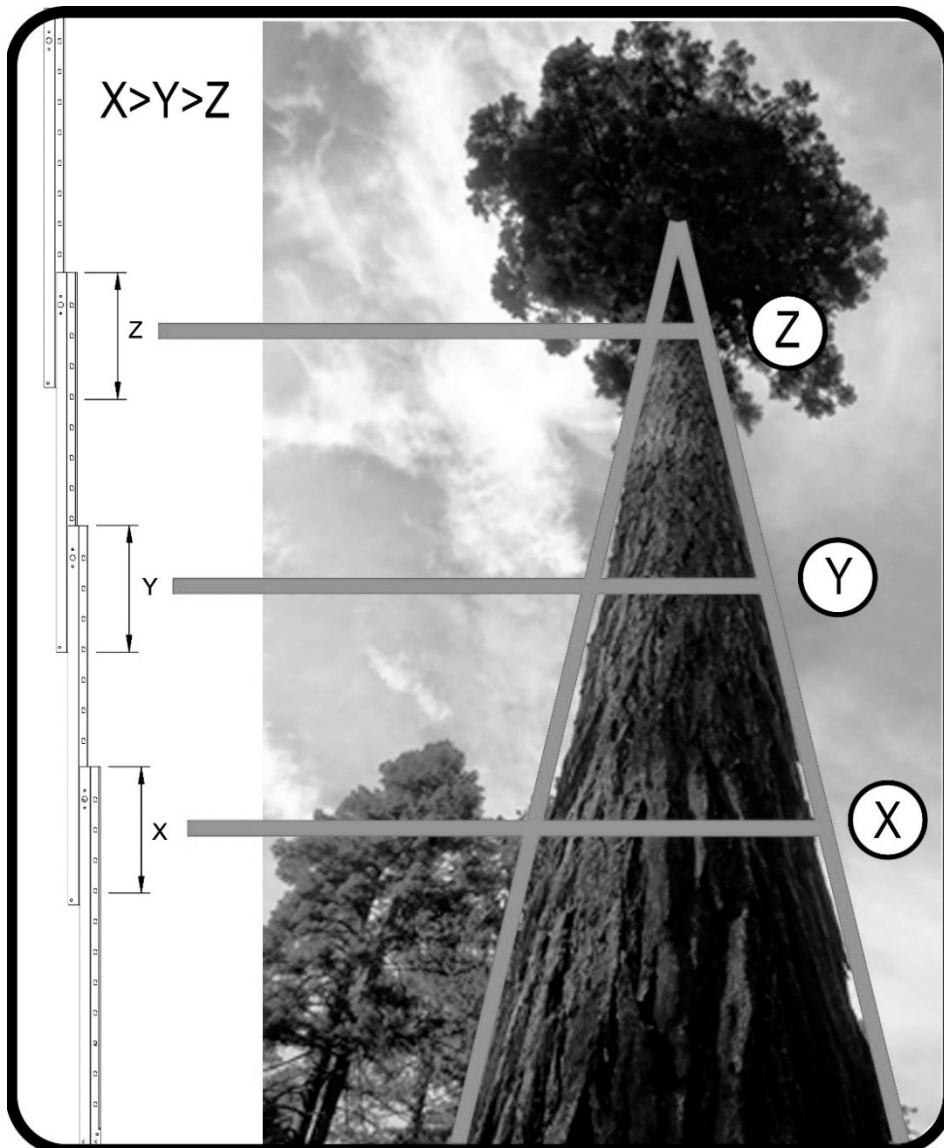


Figure 104

## TRANSPORT

To transport the towers:

- Check that the legs are firmly attached to the tower in their transport position and cannot be released.
- Check that the forks are securely fastened with the pins and cannot be removed.
- Check that the carriage is securely fastened with the car brake system.
- Check that all sections are blocked.

## WITH FORKLIFT

To transport the towers with a mechanism type forklift, the AWS 100 accessory is necessary. Follow the instructions of the machine operator transport manual. Consider the height of what is transported. Avoid sudden turns and braking.

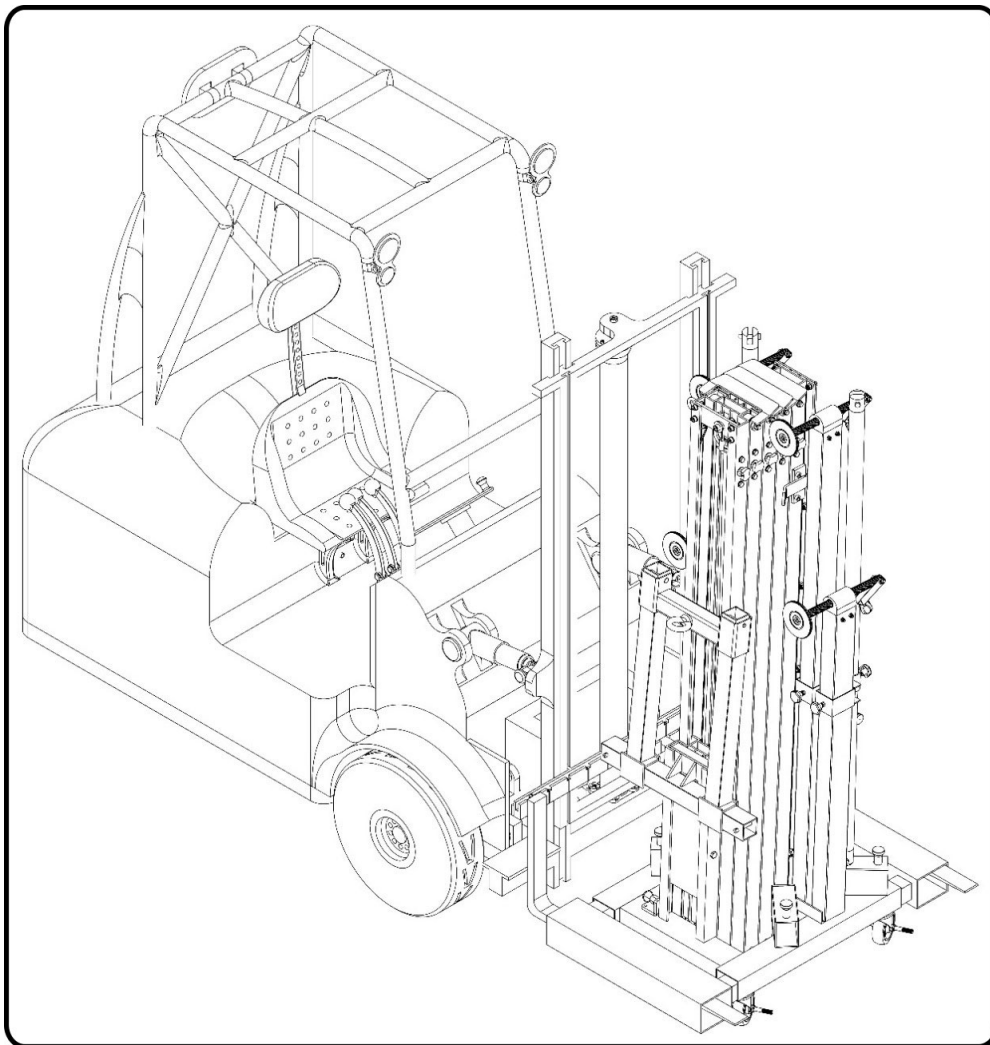


Figure 105

*Detail of transport with forklift.*

## WITH TRUCK OR CONTAINER

To transport the tower by truck or container always tie the tower by two points. Use ratchets not less than 1000 kg of force for the **WTS 506, 256 and 375** models. Use ratchets no less than 2000 kg of force for the **WTS 905, 1206 and 708** models.

Place ratchets so that the tower cannot move by inertia in curves or sudden braking.

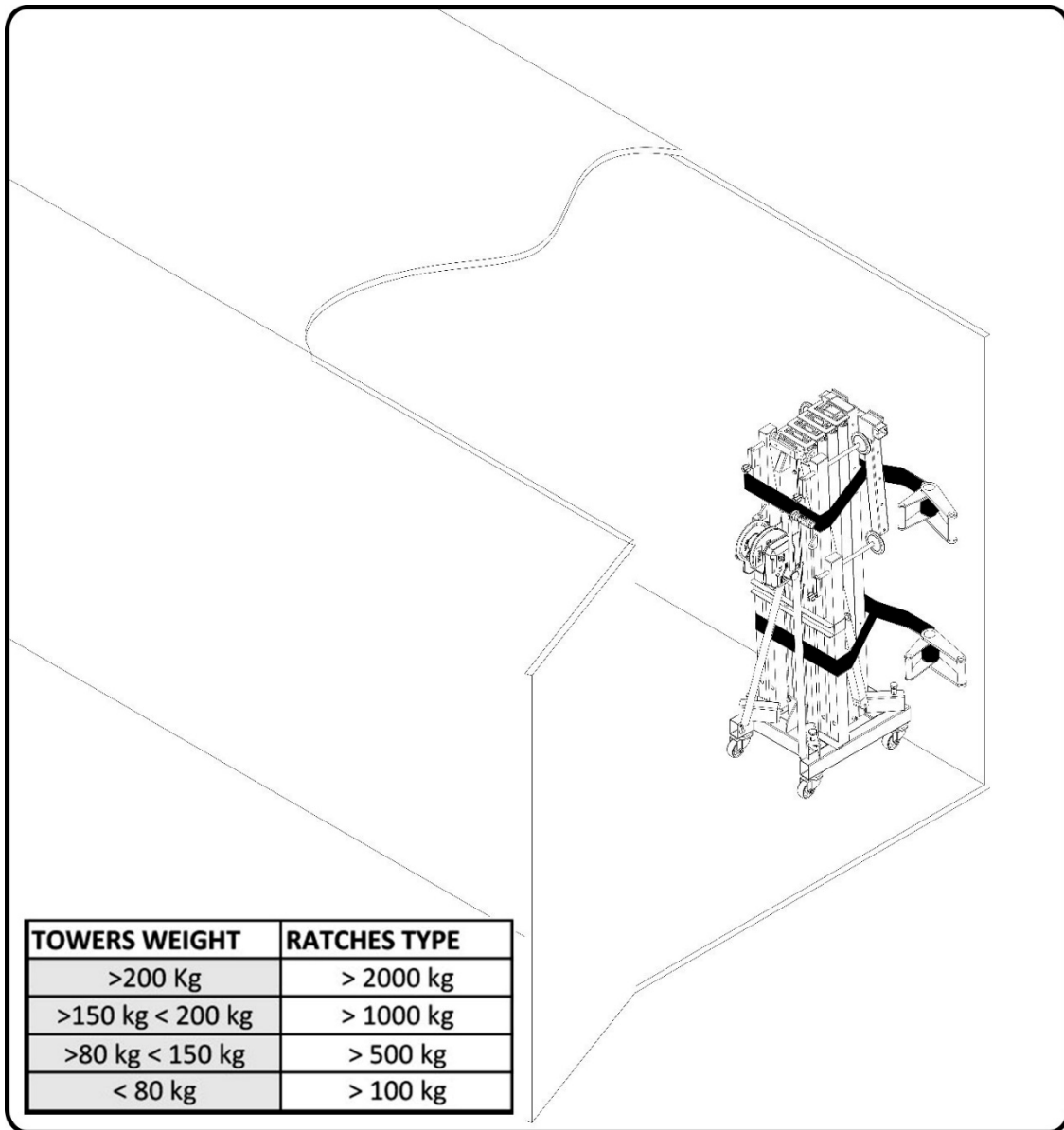


Figure 106

*Detail tower place and shape holding.*

## **DGUV V17/18 NORM REGULATION. Explanation**

**DGUV V17/18** is a norm that regulates the stage and production elements in the entertainment industry. Lifting equipment and rigging are part of this norm and cover structures and other technical elements.

Adopt **DGUV V17/18** is totally voluntary (except in Germany) but its adoption is required by insurance companies and indeed is becoming a norm in the industry

The application of this norm on lifter towers is vital because, in theaters, stages, etc., are used to move loads above artists, technical staff, etc... and in some cases, above viewers, representing a potential risk of fall.

### *NORM DGUV V17/18. Fields of application*

This standard is oriented in two ways:

On the one hand, lifting towers adopt designs and materials to achieve a high degree of safety in quantities such as supported load, equilibrium, resistance to friction, etc.

Thus, **WORK** lifter towers **DGUV V17/18** certified assure the user that they have passed strict controls during design, choice of materials or load checks and effort.

On the other hand, in order to achieve an optimal performance with these units, it is recommended, apart from a responsible use of the unit, (meeting basic norms such as obey the maximum load or balance), a periodic maintenance, which must be carried out by expert technicians, checking the condition of the steel cable and winch, the functioning of the security pins and the folding/unfolding of all sections.

All the above tests are only mandatory in those countries with specific regulations on the matter, applied through regulations or laws. As manufacturers, we recommend passing all tests in order to prevent damage and ensure proper operation of P.A. lift systems.

# SPECIFICATIONS

WTS Model	256		375		506		905		708		1206	
Folded height	1,60	m	1,60	m	1,93	m	1,66	m	2,00	m	2,00	m
	5,25	ft	5,25	ft	6,33	ft	5,45	ft	6,56	ft	6,56	ft
Base width	0,56	m	0,56	m	0,58	m	0,585	m	0,705	m	0,585	m
	1,84	ft	1,84	ft	1,90	ft	1,92	ft	2,31	ft	1,92	ft
Base length	0,44	m	0,44	m	0,52	m	0,58	m	0,58	m	0,58	m
	1,44	ft	1,44	ft	1,71	ft	1,90	ft	1,90	ft	1,90	ft
Maximum height	6,30	m	5,07	m	6,08	m	5,20	m	8,13	m	6,00	m
	20,66	ft	16,63	ft	19,95	ft	17,06	ft	26,67	ft	19,69	ft
Minimum fork height	0,62	m	0,60	m	0,70	m	0,88	m	0,91	m	0,88	m
	2,03	ft	1,96	ft	2,29	ft	2,88	ft	2,98	ft	2,88	ft
Unfolded diameter	2,65	m	2,65	m	2,71	m	2,80	m	3,47	m	3,40	m
	8,69	ft	8,69	ft	8,89	ft	9,19	ft	11,38	ft	11,15	ft
Frontal side width	1,88	m	1,88	m	2,11	m	1,80	m	2,15	m	2,15	m
	6,17	ft	6,17	ft	6,92	ft	5,90	ft	7,05	ft	7,05	ft
Rear side width	1,60	m	1,60	m	1,55	m	1,70	m	2,55	m	2,55	m
	5,25	ft	5,25	ft	5,09	ft	5,57	ft	8,37	ft	8,37	ft
Fork length	0,50	m	0,50	m	0,61	m	0,65	m	0,86	m	0,86	m
	1,64	ft	1,64	ft	2,00	ft	2,13	ft	2,82	ft	2,82	ft
Number of profiles	5		4		4		4		6		4	
Minimum load capacity	25	Kg	25	Kg	25	Kg	25	Kg	25	Kg	25	Kg
	55,12	Lb	55,12	Lb	55,12	Lb	55,12	Lb	55,12	Lb	55,12	Lb
Max.load as mechanism	260	Kg	350	Kg	510	Kg	450	Kg	450	Kg	550	Kg
	573,20	Lb	771,62	Lb	1124,36	Lb	992,08	Lb	992,08	Lb	1212,54	Lb
Max. load as structure	260	Kg	380	Kg	510	Kg	900	Kg	700	Kg	1200	Kg
	573,20	Lb	837,76	Lb	1124,36	Lb	1984,16	Lb	1543,24	Lb	2645,55	Lb
Net weight	119,80	Kg	110,20	Kg	150	Kg	217	Kg	287	Kg	244	Kg
	264,11	Lb	242,84	Lb	330,70	Lb	478,40	Lb	632,72	Lb	537,92	Lb
Winch	900	Kg	900	Kg	900	Kg	1200	Kg	1200	Kg	1200	Kg
	1984,2	Lb	1984,2	Lb	1984,2	Lb	2645,5	Lb	2645,5	Lb	2645,5	Lb
Cable diameter	6	mm <sup>2</sup>	6	mm <sup>2</sup>	6	mm <sup>2</sup>	6	mm <sup>2</sup>	6	mm <sup>2</sup>	6	mm <sup>2</sup>
Noise emissions	70	dB	70	dB	71	dB	73	dB	73	dB	73	dB

Figure 107





## DECLARATION OF CONFORMITY

The tower lifters described complies with all the specific requirements of Directive 2006/42 /EC of the European Parliament and of the Council of 17 May 2006 on the Machinery Directive.

The tower lifters described meet all the specific requirements in DGUV V17/18

**Manufacturer:**

EQUIPSON, S.A.

**Person responsible of the technical data:**

José Vila Ortiz

**Address:**

Avda. El Saler, 14 Pol. Industrial  
L'Alteró. 46460 SILLA – Valencia  
(Spain)

Frontal load lifter

**Description:**

**MODEL WTS 905**  
**MODEL WTS 1206**  
**MODEL WTS 708**  
**MODEL WTS 506**  
**MODEL WTS 256**  
**MODEL WTS 375**

**MAX. LOAD: 900 kg**  
**MAX. LOAD: 1200 kg**  
**MAX. LOAD: 700 kg**  
**MAX. LOAD: 510 kg**  
**MAX. LOAD: 260 kg**  
**MAX. LOAD: 380 kg**



Jose Vila Ortiz, July 2016

# DGUV MARK

NUMERO DE SERIE:	SERIAL NUMBER:	LAUFENDE NUMMER:

Primer test en fábrica	First test in factory.	Erstprüfung im Werk.
Fecha/Date/Datum	Testado por/Tested by/Prüfer	

Examen a los cuatro años.	Four years test	UVV Prüfung (alle 4Jahre)
Fecha/Date/Datum	Testado por/Tested by/Prüfer	

**Examen anual a partir  
del cuarto año.**

**Annual test after the  
fourth year.**

**UVV Jährlicher Test nach  
dem vierten Jahr.**

Fecha/Date/Datum	Testado por/Tested by/Prüfer
Fecha/Date/Datum	Testado por/Tested by/Prüfer
Fecha/Date/Datum	Testado por/Tested by/Prüfer
Fecha/Date/Datum	Testado por/Tested by/Prüfer



**Av. Salar nº 14 Polígono. Ind. L`Alteró. Silla 46460 VALENCIA-SPAIN**  
**Tel: +34 96 121 63 01**  
**[www.workpro.es](http://www.workpro.es)**