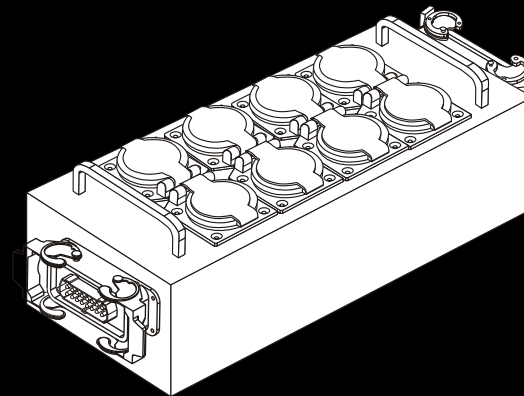
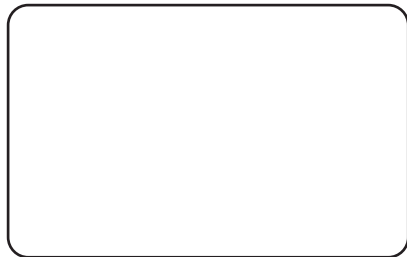


WORK[®]



PD - 82 S



Equipson, S.A.
www.equipson.es
support@equipson.es

CE

WORK

All rights reserved.

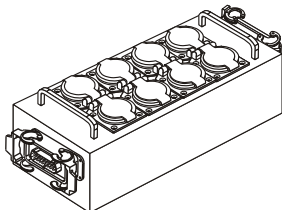
User Manual / Instrucciones de Usuario



WORK®

PD-82 S SPLITTER

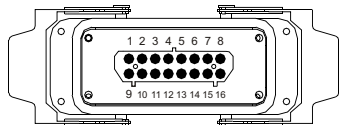
User Instruction



WARNING!!!

This product is intended for indoor use only.
This apparatus must be earthed.
To prevent fire or shock hazard, do not expose this product under a high temperature or humid area.

Connections



Pins Arrangement

| | | | |
|---|------|----|---|
| 1 | CH.1 | 9 | N |
| 2 | CH.2 | 10 | N |
| 3 | CH.3 | 11 | N |
| 4 | CH.4 | 12 | N |
| 5 | CH.5 | 13 | N |
| 6 | CH.6 | 14 | N |
| 7 | CH.7 | 15 | N |
| 8 | CH.8 | 16 | N |

Specifications

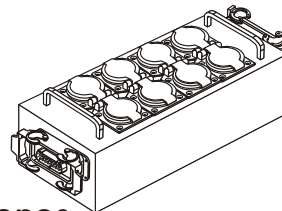
Power Input AC 230V~50/60Hz
Input Connector 16 pin ILME male multiconnector
Power Outlet 8xSchuko, 16A/ 16 pin ILME female multiconnector
Dimensions 352x150x102mm
Weight 2.5Kg



24-004-1049
Rev 1.0

WORK®

PD-82 S SPLITTER

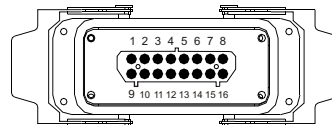


Manual de Instrucciones

ATENCIÓN!!!

Este producto está diseñado solo para usos en interior.
Este aparato debe ser conectado a una toma de tierra.
Para prevenir el riesgo de fuego o descarga eléctrica,
no exponga es producto a altas temperatura o humedad.

Conexiones



Disposición de pines

| | | | |
|---|------|----|---|
| 1 | CH.1 | 9 | N |
| 2 | CH.2 | 10 | N |
| 3 | CH.3 | 11 | N |
| 4 | CH.4 | 12 | N |
| 5 | CH.5 | 13 | N |
| 6 | CH.6 | 14 | N |
| 7 | CH.7 | 15 | N |
| 8 | CH.8 | 16 | N |

Especificaciones

Alimentación AC 230V~50/60Hz
Conector de entrada Multiconector ILME macho de 16 pines
Salidas de Potencia 8xSchuko, 16A/ 1Multiconector ILME hembra de 16 pines
Dimensiones 352x150x102mm
Peso 2.5Kg



24-004-1049
Rev 1.0