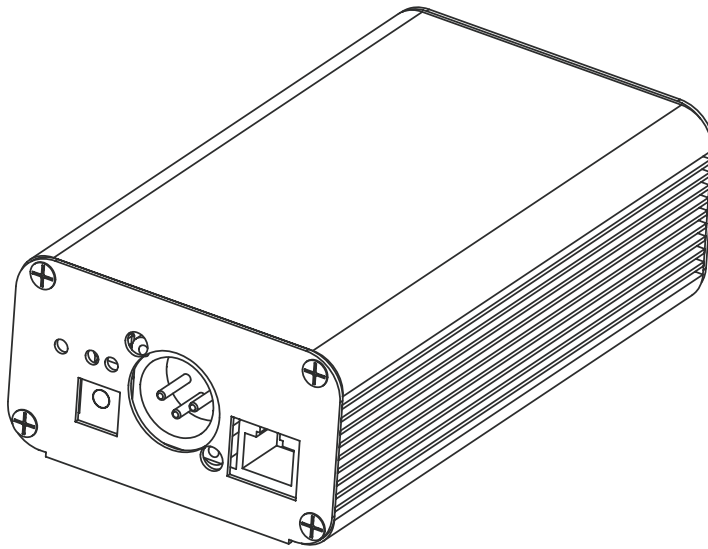


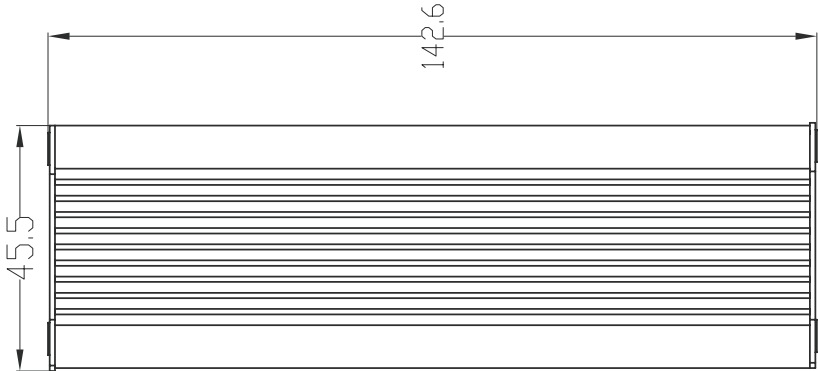
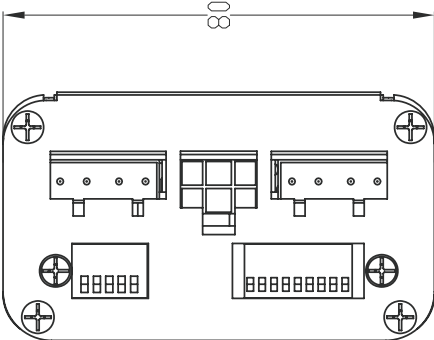
Service Manual

LM-4



(BOM Code:88-029-1570-00)

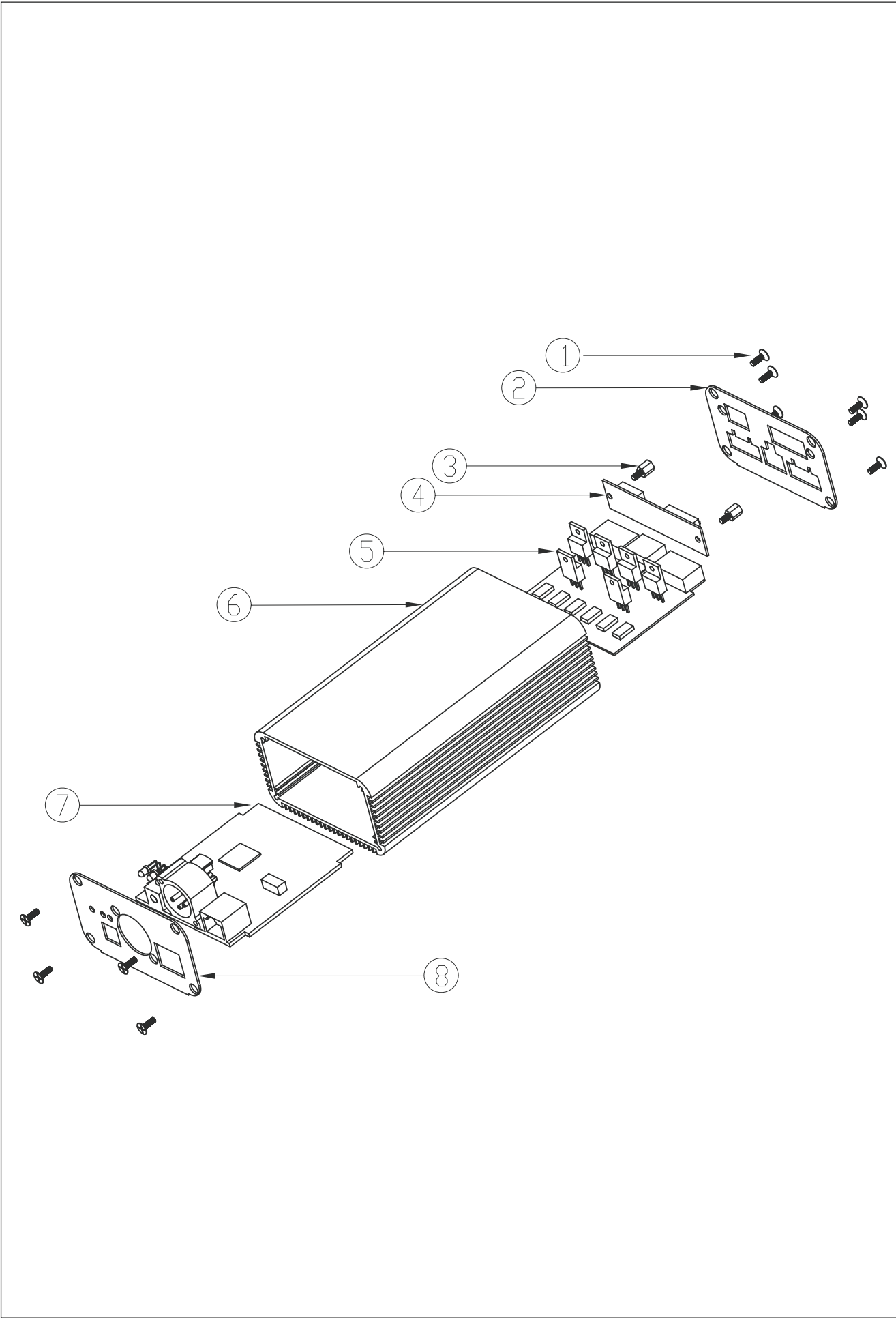
Physical Dimensions



Appendix I

Complete Exploded View & Parts List

Complete ExplodedView

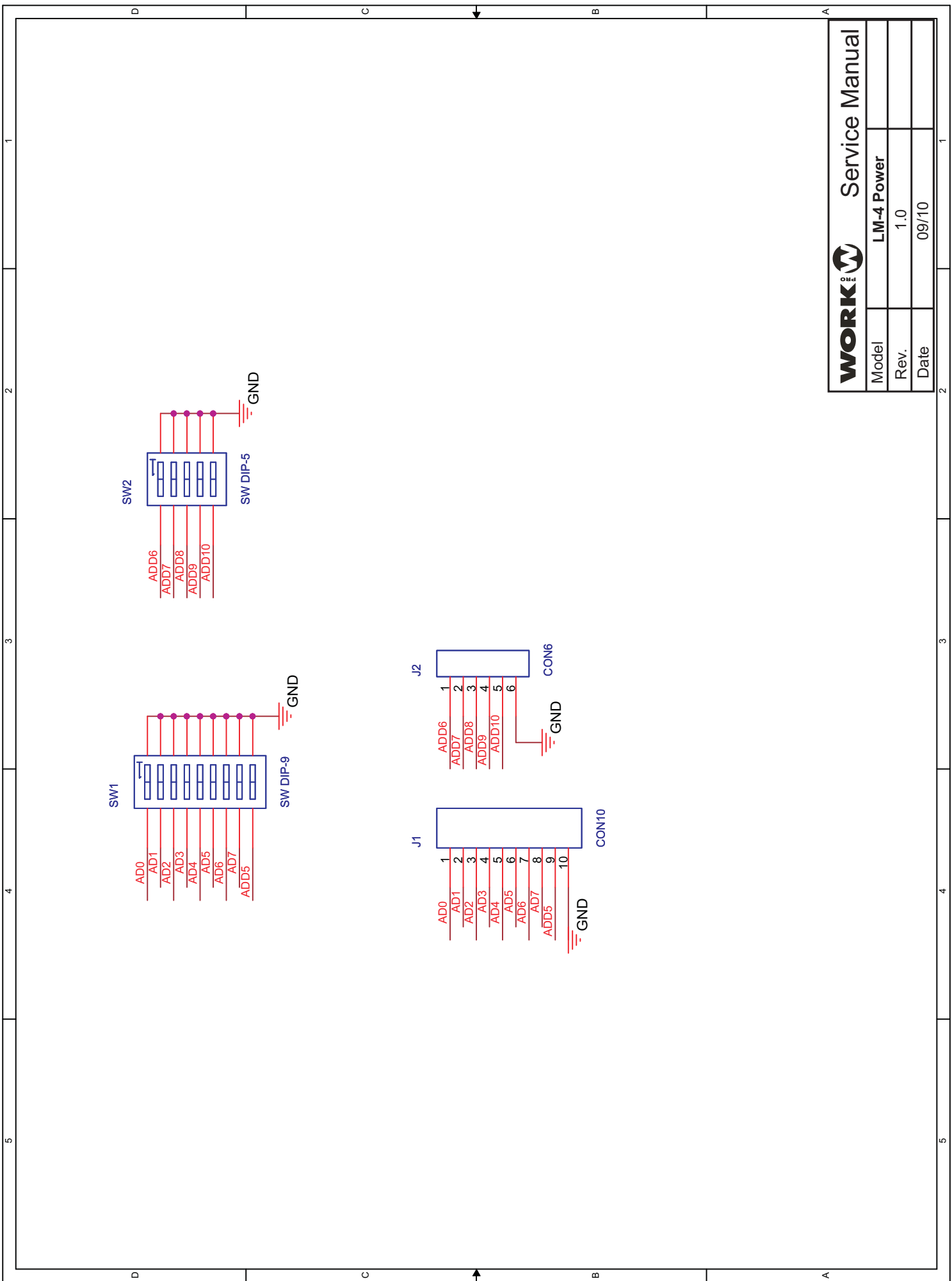


Complete Exploded Parts List

Item	part Number	Description	Qty
1	22-001-0449-00	Screws M3X5.5	10
2	60-800-0032-01	Rear Panel	1
3	25-005-0025-00	Copper pole	2
4	82-290-1570-00	ASSY LM-4-Select PCB	1
5	82-240-1570-00	ASSY LM-4-Power PCB	1
6	60-029-0010-02	Housing	1
7	82-210-1570-00	ASSY LM-4-Main PCB	1
8	60-029-0009-02	Front Panel	1

Appendix II

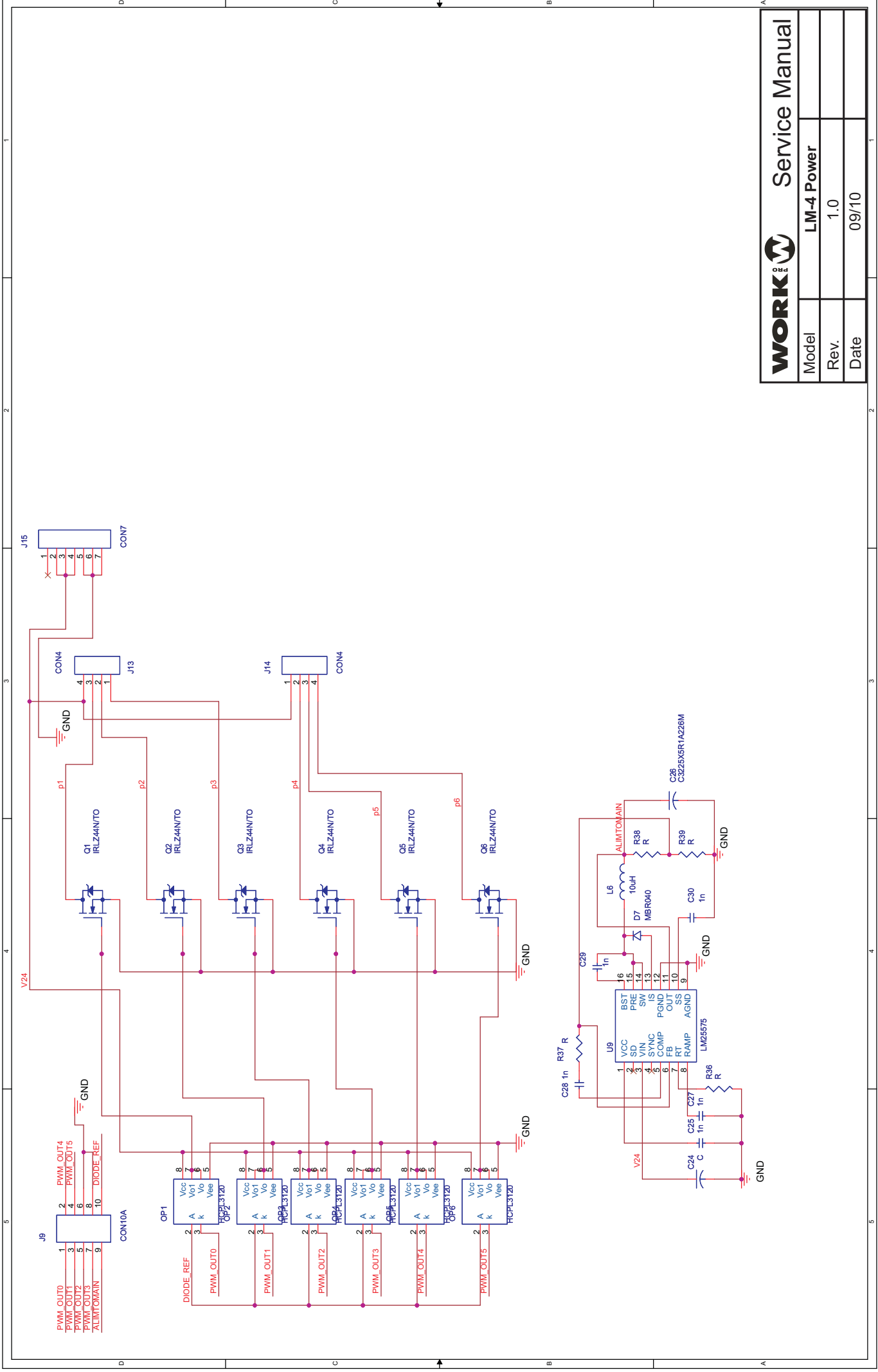
PC Board Schematic Diagram & Parts List



WORK <small>OF</small> W		Service Manual	
Model	LM-4 Power		
Rev.	1.0		
Date	09/10		

Bill of Materials for LM-4 Select(82-290-1570-00)

Item	Part Number	Descriptions	Qty	Location
1	11-006-0037-00	DIP Switch 5BIT	1	SW2
2	11-006-0038-00	DIP Switch 9BIT	1	SW1
3	16-001-0053-00	Header 2.00mm 10Pin	1	J1
4	16-001-0107-00	Header 2.00mm 6Pin	1	J2
5	80-290-1570-00	PCB LM-4-Select	1	



WORK <small>OHIO</small>		Service Manual	
Model	LM-4 Power		
Rev.	1.0		
Date	09/10		

Bill of Materials for LM-4 Power(82-240-1570-00)

Item	Part Number	Descriptions	Qty	Location
	101-006-0035-00	IC HCPL-3120-060E DIP-8 Optoisolators HP 6OP1-OP6		
2	03-002-0068-00	Electrolytic Capacitor 470uF/35V	1	C50
3	05-001-0124-00	Mosfet FQPF50N06	6	Q1-Q6
4	16-001-0062-00	Header 2.54mm 5Pinx2	1	J9
	516-001-0607-00	Header 4.14mm Mini-Universal MATE-N-LOK Connector	1	J15
6	16-003-0581-01	Terminal	2	J13,J14
7	22-001-0028-00	Screws M3X8 PM+C	6	FOR Q1-Q6
8	60-800-0121-00	Heatsink1	1	FOR Q1-Q6
9	60-800-0122-00	Heatsink2	1	FOR Q1-Q6
10	81-240-1570-00	SMD-ASSY LM-4-Power Blue PCB	1	



EQUIPSON S.A.

POLIG. IND. LA ERMITA. NAVE K 1
TELF. 34 961 795 915
FAX 34 961 795 886
46439 EL ROMANI - SOLLANA
(VALENCIA - ESPAÑA)
E-MAIL: equipson@equipson.com
WEB: <http://www.equipson.com>