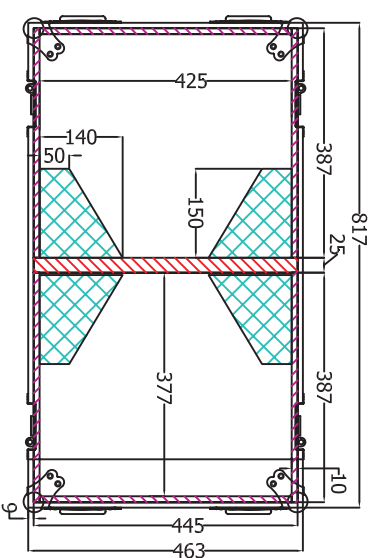
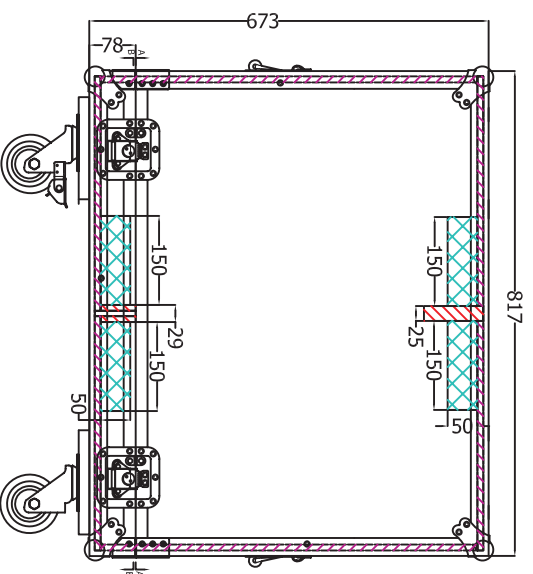


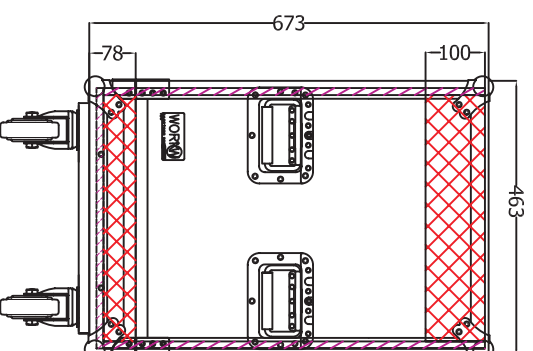
SECTION B-B



SECTION A-A



FRONT VIEW



END VIEW



DRAWING:
W/PL CASE-1

SCALE 1:10
DATE 2007/05/11
DRAWING NO.