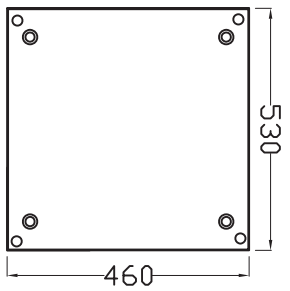
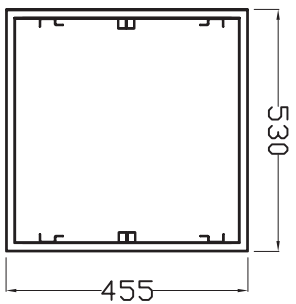


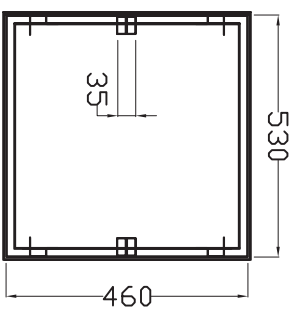
B-B



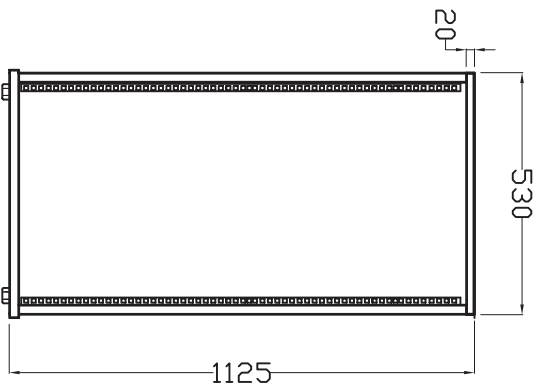
C-C



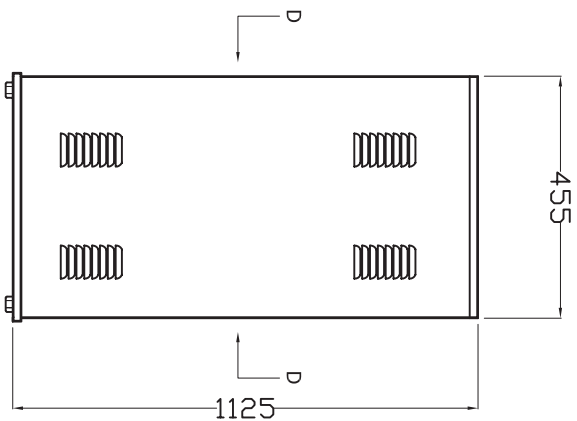
SECTION B-B



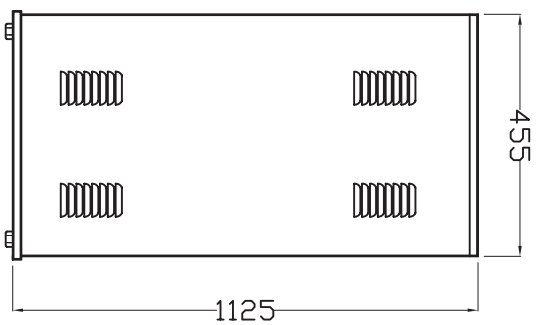
SECTION C-C



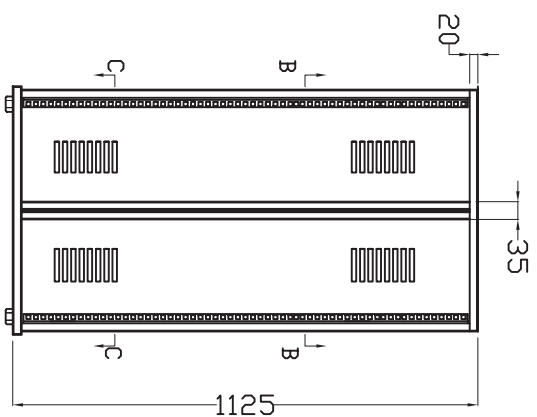
D-D



A-A



SECTION B-B



SECTION A-A

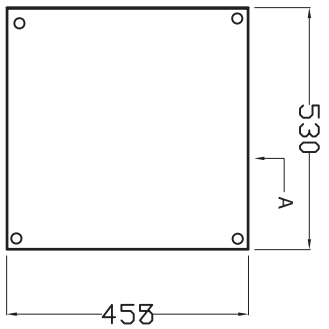


DRAWING:

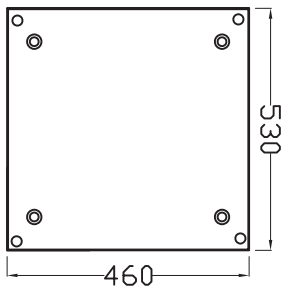
RM-24

SCALE 1:10

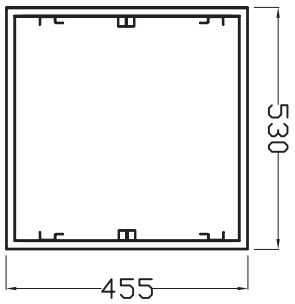
DRAWN: 09-2-9
DRAWING NO.:



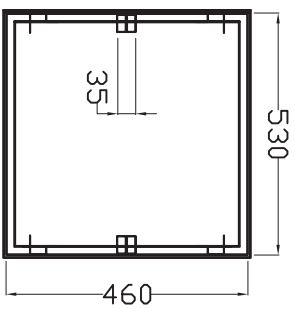
B-B



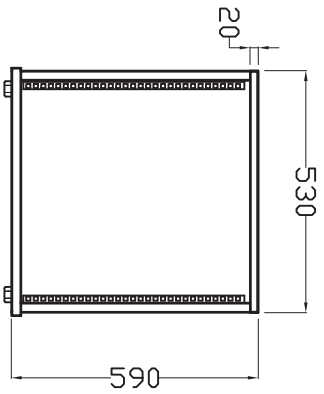
C-C



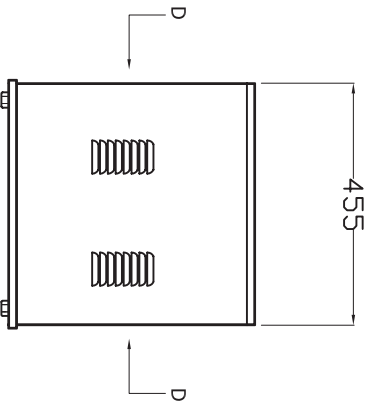
SECTION B-B



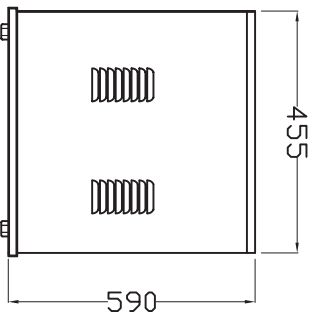
SECTION C-C



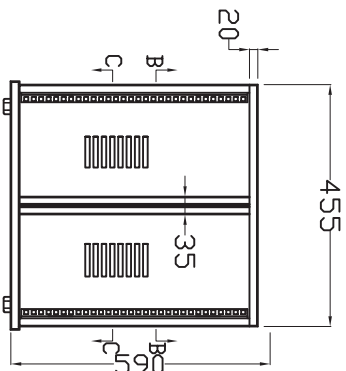
D-D



A-A



SECTION A-A



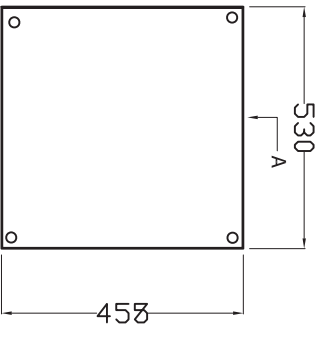
DRAWING:

RM-12

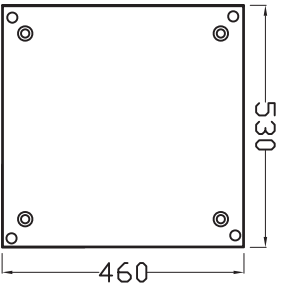
SCALE 1:10

DRAWN
09-2-9

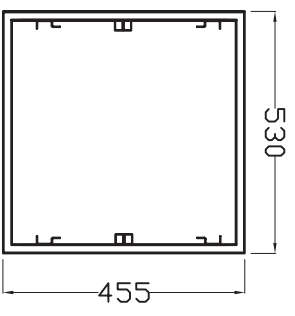
DRAWING NO.



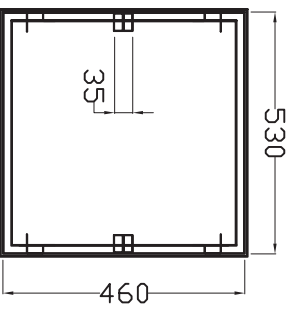
B-B



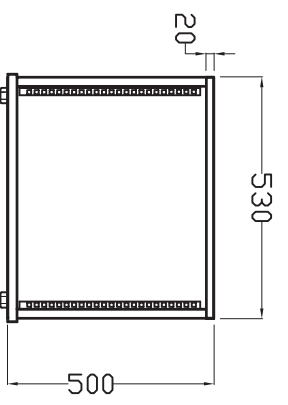
C-C



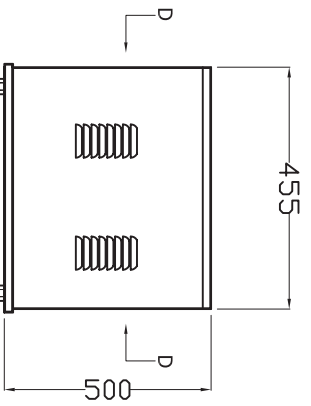
SECTION B-B



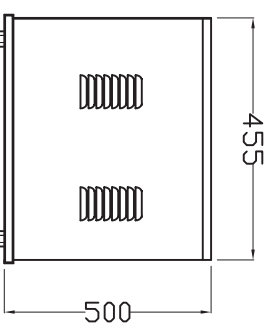
SECTION C-C



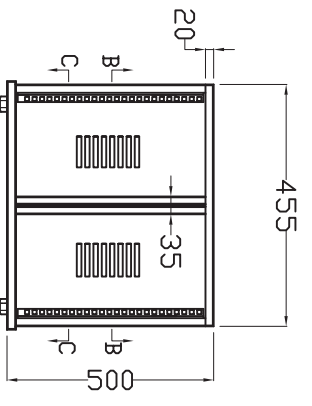
D-D



A-A



SECTION A-A



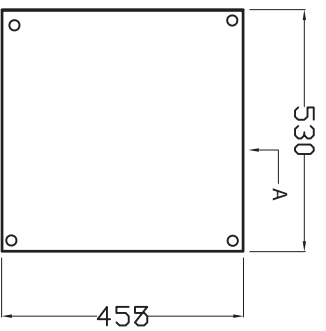
DRAWING:

RM-10

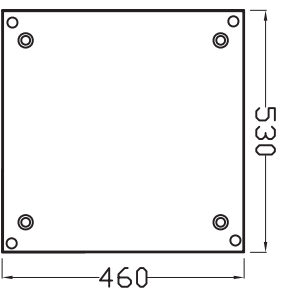
SCALE 1:10

DRAWING NO. 09-2-9

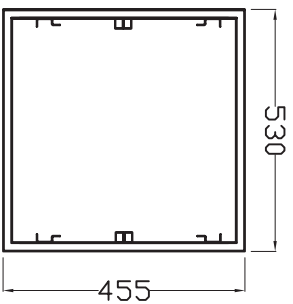
DRAWING NO.



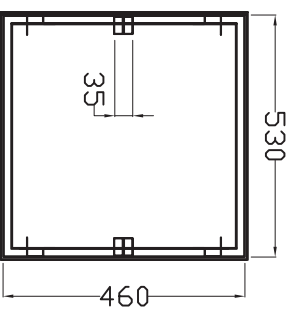
B-B



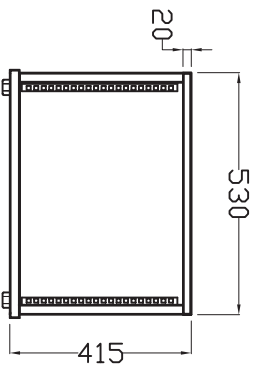
C-C



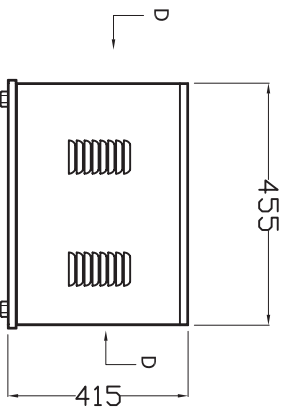
SECTION B-B



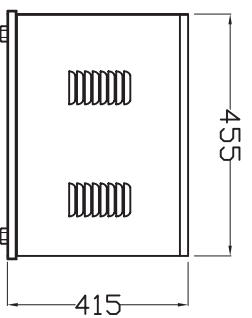
SECTION C-C



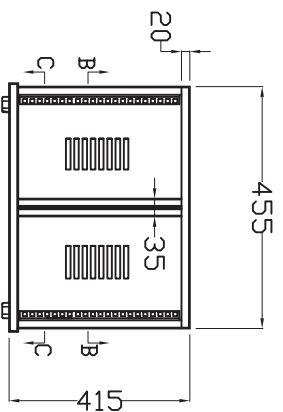
D-D



A-A



SECTION A-A



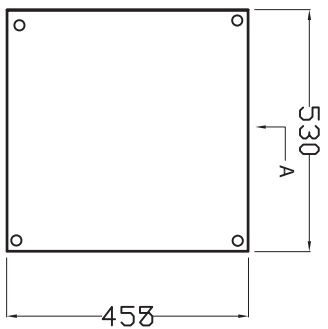
DRAWING:

RM-8

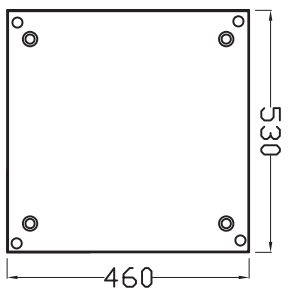
SCALE 1:10

DRAWN
09-2-9

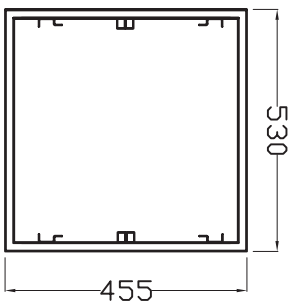
DRAWING NO.



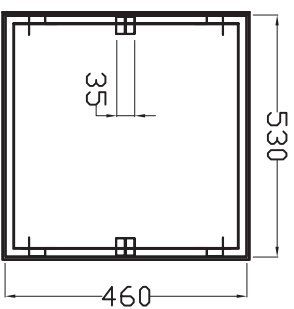
B-B



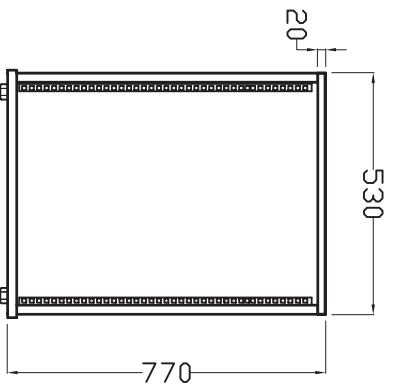
C-C



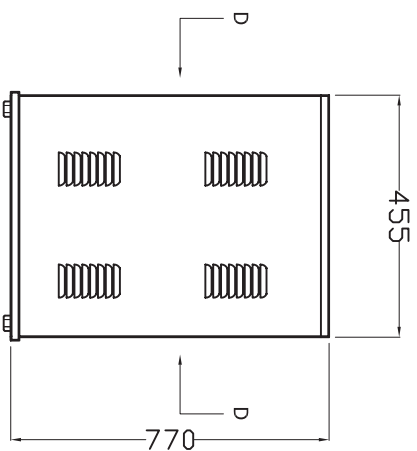
SECTION B-B



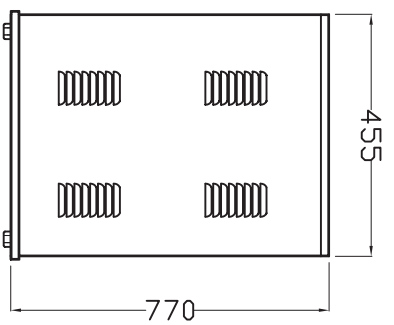
SECTION C-C



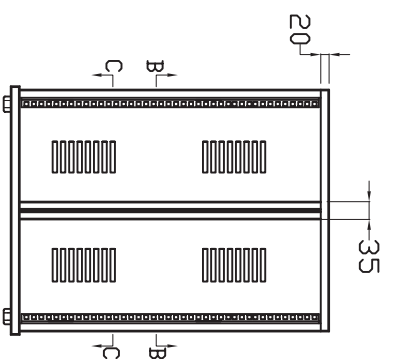
D-D



A-A



SECTION A-A



DRAWING:

RM-16

SCALE 1:10

DRAWN
09-2-9

DRAWING NO.