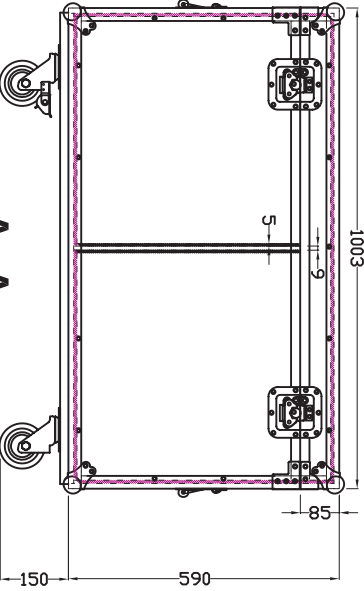
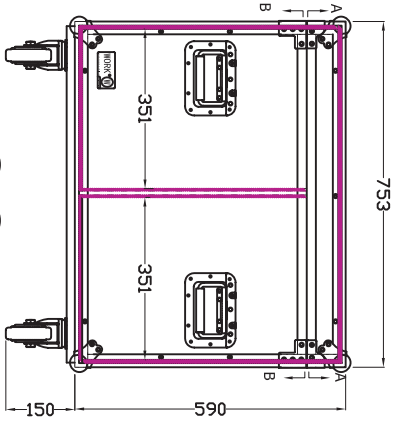


**SECTION D-D**



**B-B**

**C-C**

**A-A**



DRAWING:

RIGGING 4

DRAWN  
09-2-9

SCALE 1:10  
DRAWING NO.  
09/5024