

Materials:

Plywood: 9mm

Laminate: Black color

Hardware

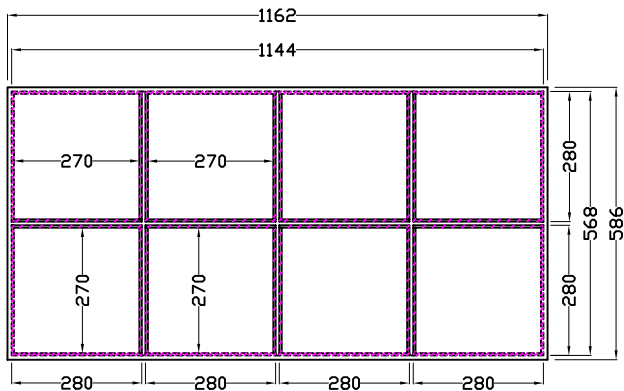
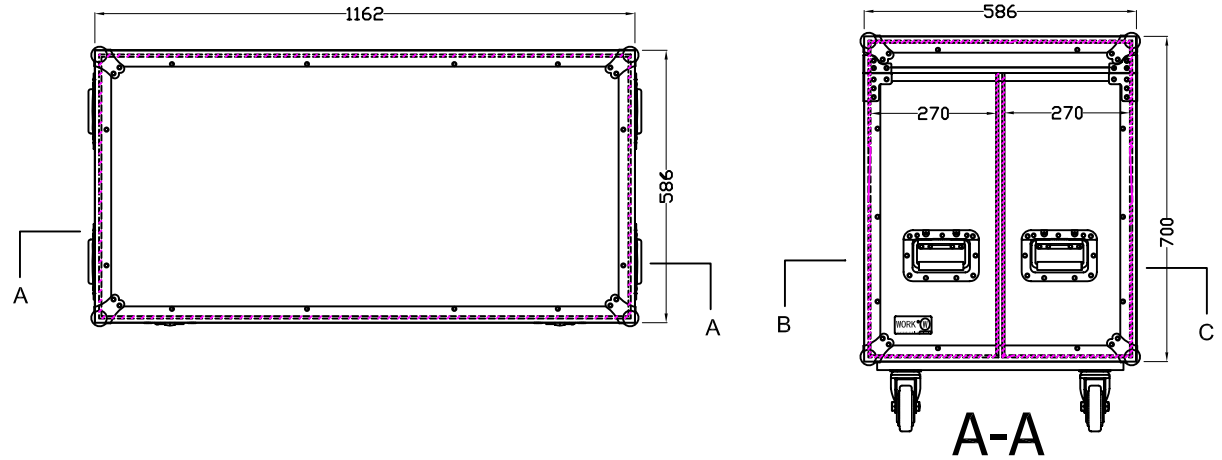
Item #	Description	Quantity
HL003L	Recessed M Latch	2
HO001		2
HH002	Recessed L Handle	4
HB002	Ball corner	8
HC007B	4" CASTER BLUE W/BRAKE	2
HC007	4" CASTER BLUE	2

Note

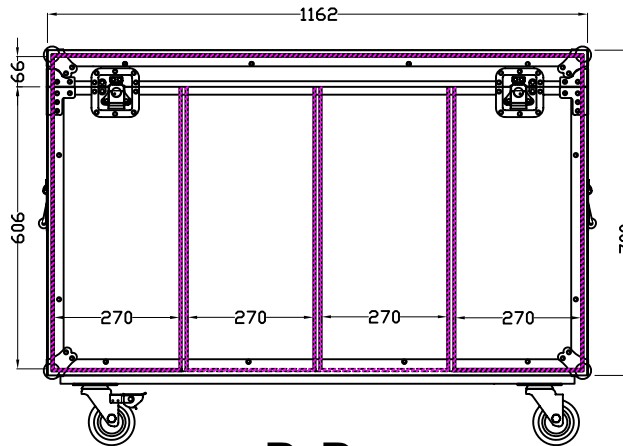
Dimensions shown are finished sizes
Supplier to make all necessary adjustments to comply
Hole/aperture/Cutout tolerance ± 0.50 , Max tolerance between any two holes 1.0

Foam

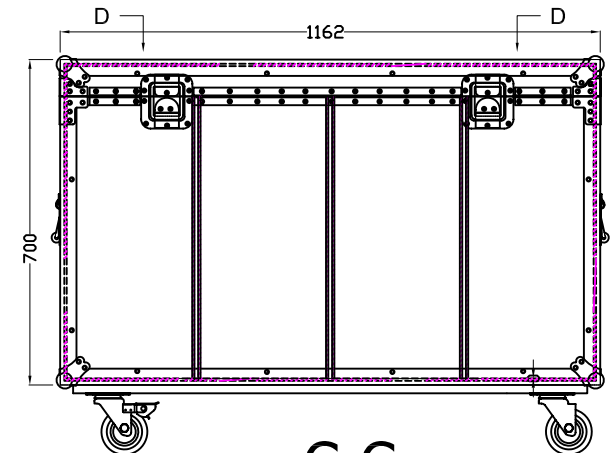
Item #	Description	Thickness
HF001	Hard foam	7MM



SECTION D-D



B-B



C-C



DRAWING:

RACK PARLED

SCALE 1:10

DRAWING NO.

PS01