

# WPS 310

## PENDANT SPEAKER

### Style in your place

WorkPRO presents a new ceiling speaker, a characteristic pendant speaker designed with style and made for reproduce high fidelity performance and deep bass thanks to its coaxial transducer.

WPS 310 provides a clarity sound even under high power, bringing the necessary power for every application as restaurants, lounges, rooms or bars.

### APPLICATIONS

- ▶ Airports, bars and restaurants
- ▶ Exhibit halls and convention centers
- ▶ Retail environments and shopping malls
- ▶ Corporate meeting rooms and worship
- ▶ Health and fitness clubs
- ▶ Casinos, hotels and ballrooms

### FEATURES

- ▶ Terminal weather boot
- ▶ Stylish pendant design
- ▶ High intelligibility and uniform coverage
- ▶ Coaxial speaker with HF compression drivers
- ▶ Integrated up cover hiding wires and hanger
- ▶ 8 Ohm or 100V Line operation

### Pendant Mount LoudSpeaker System

## Full-Range, Two-Way, 10"

The WPS 310 includes a single-point mounting system for easy and secure suspension in ceiling applications.

Also is possible mount it with the PBU 31 handle that allows inclinate it in any position to get installed everywhere.



### PBU 31

PBU 31 is the additional handle of the WPS 310. It incorporates a screw to fix the speaker in any position.

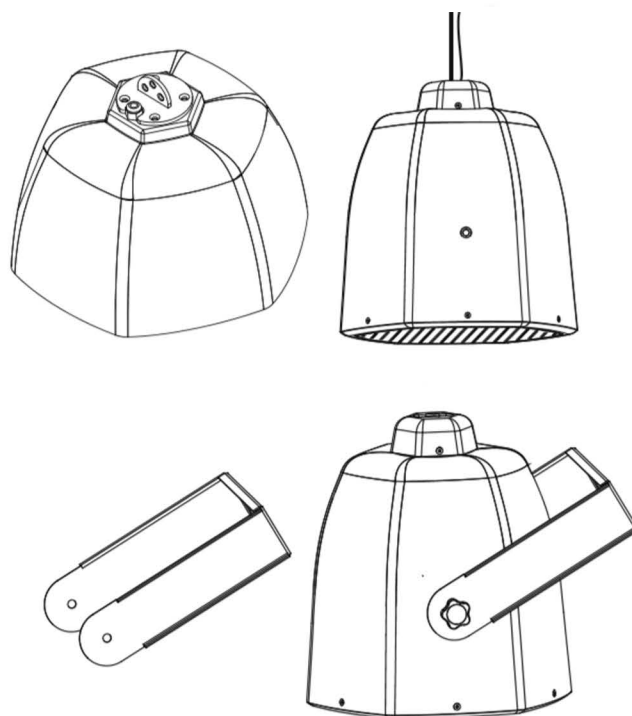
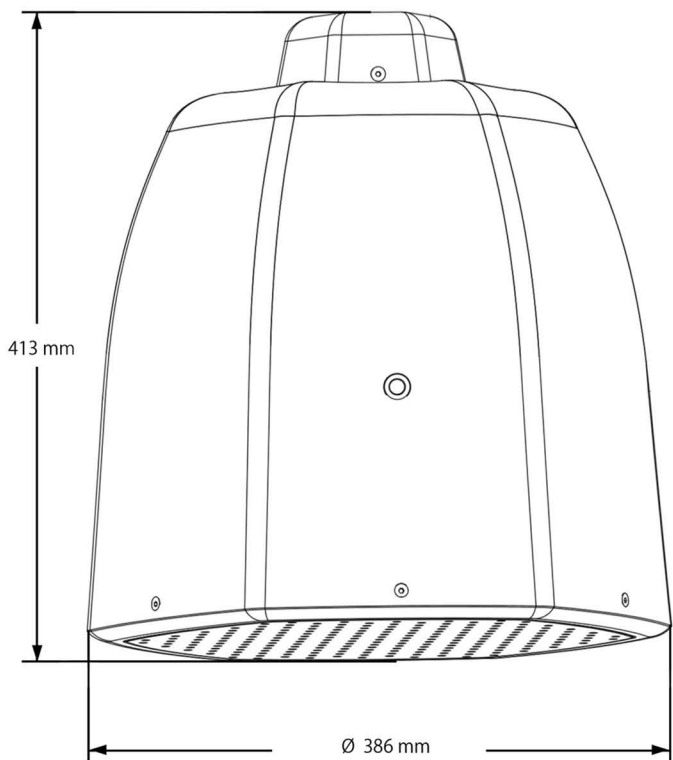
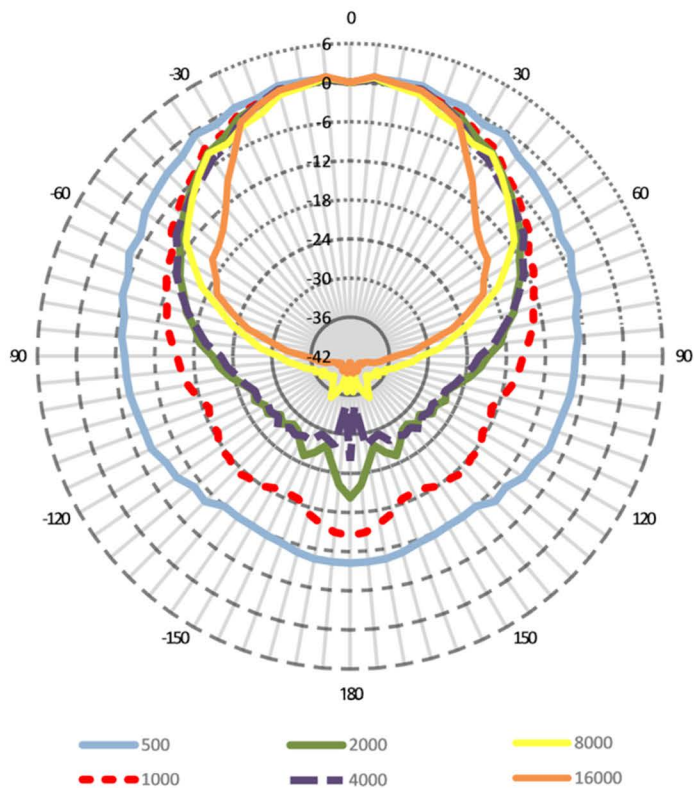
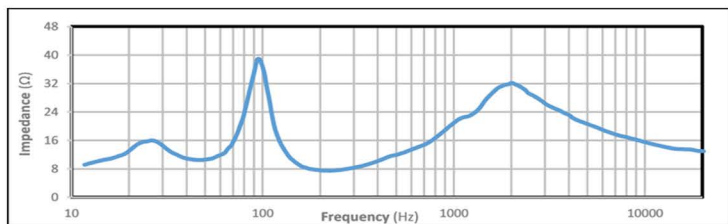
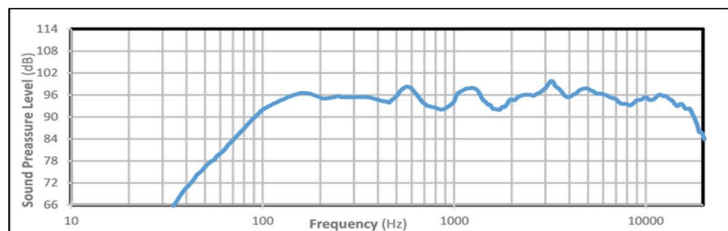


# WPS 310

The WPS 310 provides the necessary cables to be connected to any installation, even 100V line. Its design, the materials and components offer high quality sound, power and directivity of the waves as shown in the frequency polar pattern.

## Technical Data:

Transducer:	10" Woofer + 1" C. Driver
Frequency response:	70Hz - 19 kHz (-10dB)
Sensitivity:	95 dB (1W/1m)
Nominal impedance:	8 Ohms
Power:	250 W AES / 50W (100V)
Nominal Beamwidth:	90° (500Hz - 4 kHz) @ -6 dB
Dimensions:	Ø 386 x 413 mm
Weight:	9.2 Kg



All WorkPRO products are designed and engineered in Spain