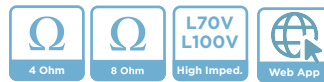


Product Information

Key Features

- 4x125W @ 4Ohm, 2x250W @ 4Ohm Bridge, 2x250W (100 V line).
- No software installation is required. Just connect with any device, open your web browser and start your set-up.
- Internal DSP matrix with 4 mono or 2 stereo inputs.
- 2 or 4 zone output and S/PDIF link.
- Class-D amplifier.
- Built-in Web app control.
- GPIO & Ethernet ports.
- Switching power.
- Dimensions 220 x 44 x 320mm | 2,8kg



Compact four-channel 4 ohm installation amplifier (up to 125W per channel) or 250W on a 100V line output. Digital signal input and output for easy interconnection without conversions. Dedicated DSP with full connectivity and control via stand-alone Wi-Fi, Ethernet and GPIO. It is possible to control and modify parameters of the unit simply using a web browser

Applications

Retail & Commerce
 Education

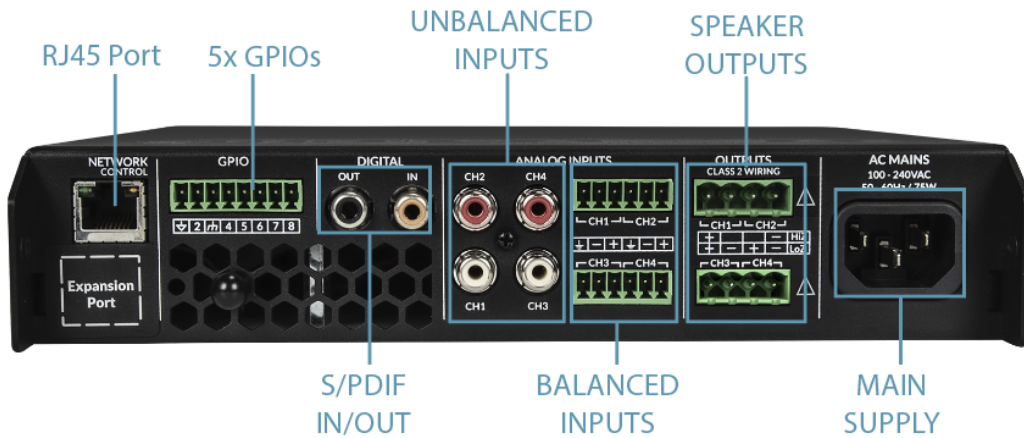
Hospitality
 Houses of worship

Industry & Corporate
 Sports Venues

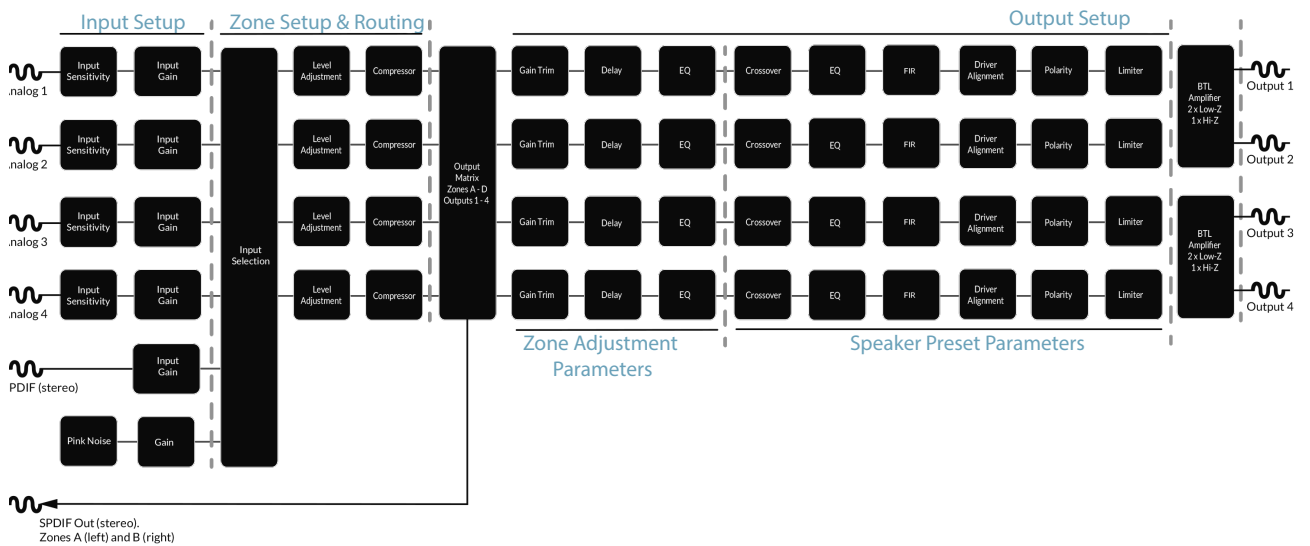
Technical Specifications

Type	Class-D amplifier		
Number of channel	4 LoZ / HiZ		
Power Handling	STEREO 4/8Ω 4x 125W	BRIDGE 4Ω 2x 250W	70/100V line 2x 250W
Inputs	4x Euroblock (balanced) or 4x RCA (unbalanced) 1x Digital S/PDIF (RCA)		
Frequency Range	20Hz-20kHz (-10 dB) (8Ω load, 3dB below rated power)		
Signal to Noise-Ratio	>106dB (A-weighted, 20Hz-20kHz, 8Ω load)		
THD+N (typical)	<0.05% (20Hz-20kHz, 8Ω load, 3dB below rated power)		
Crossover Filter	Butterworth, Bessel, Linkwitz-Riley (from 6dB/oct to 48 dB/oct).		
Output Equalization	Parametric 10 bands, LPF;HPF; BPF; Shelf (6dB/oct, 12 dB/oct, with or without Q) all pass (1st and 2nd order)		
Power Supply	AC 100 / 240V 50/60HZ / 150W. UREC™ universal mains switch power supply with Power factor Correction (PFC) and standby converter.		
Dimensions	Size (W x H x D) 220 x 44 x 320mm		
Net Weight	2,8kg		
Connectors	Euroblock / RCA (Inputs) Euroblock (outputs) RJ45 (Network)		

Rear Panel functions

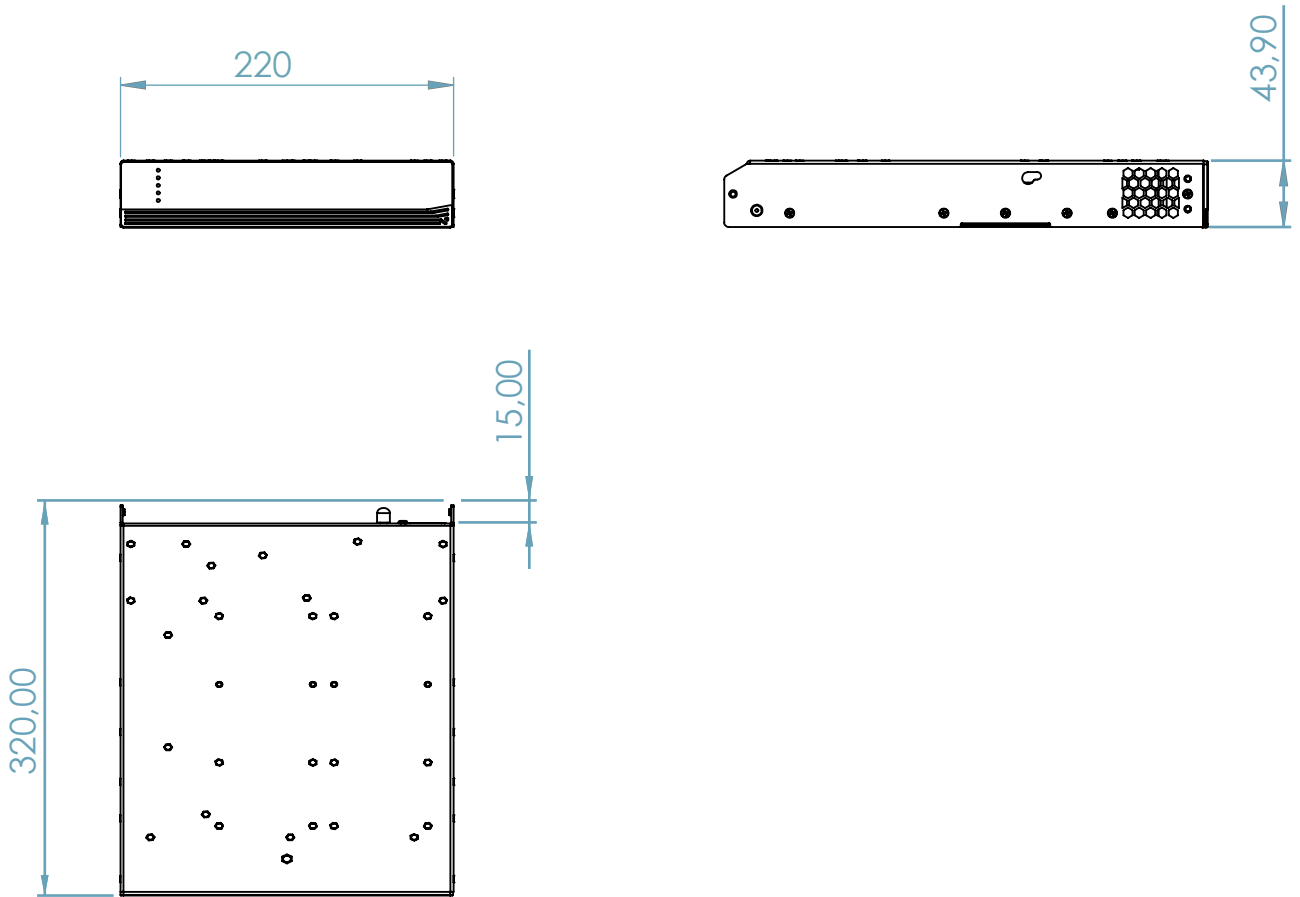


Block Diagram



Technical Drawings

Dimensions in mm.



Shipping & Ordering

Packaging	Cardboard box (Unit)		
Dimensions	Weight 2.7kg	Size (H x W x D) 90 x 290 x 490mm	Volume 0.012 CBM

References

#51SYN002 Synthea 4125

Accessories

** Check the product in our website for additional information.

Architectural & Engineering Specifications

WORKPRO introduces Synthea Series, the latest addition to our audio product line. This series has been designed to address the demands of the audio integration market, introducing a range of ultra-versatile amplifiers that simplify installations as much as possible.

From corporate installations to entertainment environments, Synthea Series effortlessly adapts to a variety of scenarios. Its discreet design blends seamlessly with its impressive power, allowing you to bring an unparalleled listening experience to every project.

What makes the Synthea Series stand out even more is its ability to operate in both low and high impedance (4Ω and 100V), with powerful Class-D amplifiers rated at 2x125W, 4x125W, 2x500W and 4x500W at 4ff and 250W, 500W, 1000W and 2000W in 100V Line. It offers several channel and power configurations, and has an output section with GPIO and S/PDIF ports that facilitate the interconnection of several units for more complex installations. This provides maximum flexibility. Integrated DSP processing and TCP/IP access allow seamless mixing and routing of any input to any output.

The new Synthea amplifier series includes a web control interface with a WAP access point that intuitively allows users to adjust different parameters via web browser without the need to download specific software or dedicated drivers. This simplifies management and control, making it an ideal solution for a wide range of applications, from bars and restaurants to fitness centers, hotels, educational facilities, corporate spaces, places of worship and conference rooms.

With Synthea, take your sound experience to the next level in any environment.

Support & Technical Request

All products features are subject to variations due to production tolerances.

We reserve the right to change specifications or improvements in the design or manufacturing that may affect these product specifications without notice, as a part of our policy to continually improve our products.

For technical queries, please contact with your supplier, reseller, distributor or visit our website www.workpro.es



Copyright

Technical specifications and availability subject to change without notice.

WORKPRO® reserve all rights in this document and in the subject thereof. By acceptance of the document the recipient acknowledges these rights and undertakes not to publish the document nor the subject thereof in full or in part, nor to make them available to any third party without our prior express written authorization, nor to use it for any purpose other than for which it was delivered to him.

Version 1.0

EQUIPSON S.A. Av. del Saler, 14. Pol. Ind. L'Alteró, Silla 46460 Valencia - Spain. Tel: +34 961216301 equipson@equipson.es