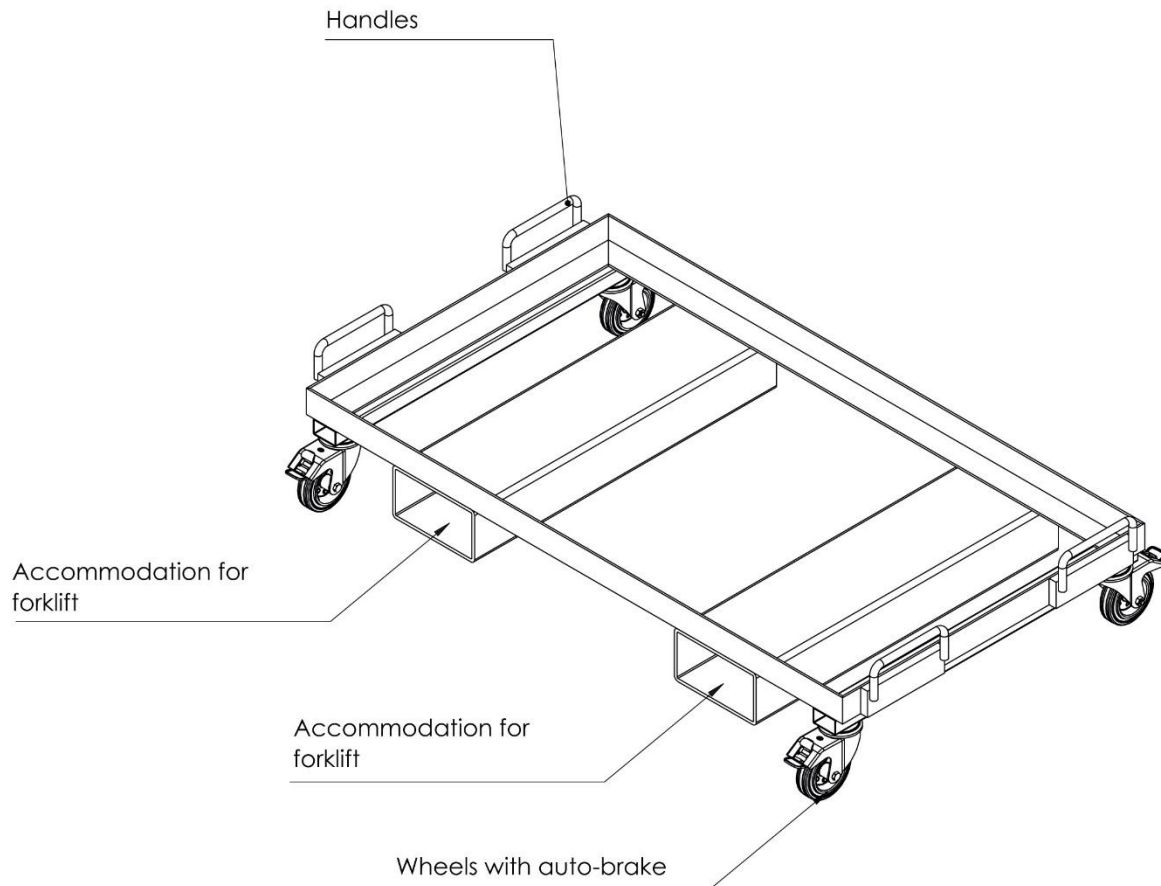


## CRL 218

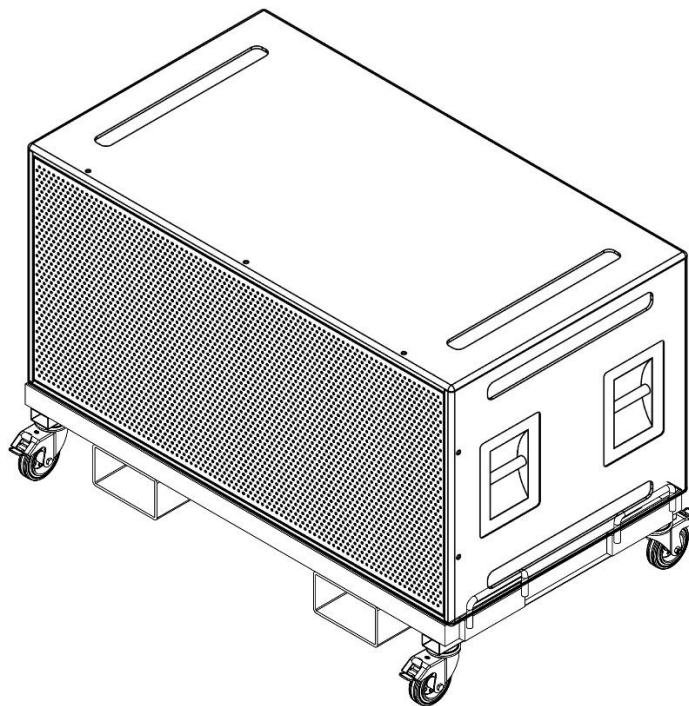
This transportation dolly has been designed for use with the **SL 218 SA** subwoofer of the ARION 21 A line array system. It allows to facilitate the transport and manipulation of the elements, reducing and simplifying the system assembly process. It consists of a frame where the subwoofer fits to prevent movement during transport. It has forklift slots, facilitating its loading and unloading as well as the transport to the installation place. It has 4 wheels with auto-brake and 4 lateral handles.



### TECHNICAL DATA

Material	Zinc plated iron, black color finished
Wheels	Ø 120 mm (with auto-brake)
Forklift slots	180x90 mm ----- separation up to 440 mm
Dimensions (W x Dx H)	1180 (1236 w/handles) x 665 x 220 mm
Weight	45 kg

## DEPLOYMENT AND ASSEMBLY OF THE SUBWOOFER



## DIMENSIONS

(In mm.)

